

GMI-8M Boiler

2007 ASME BOILER & PRESSURE VESSEL CODE
SECTION IV.

HTP	MAWP	TEMP
240 PSI	160 PSI	210° F

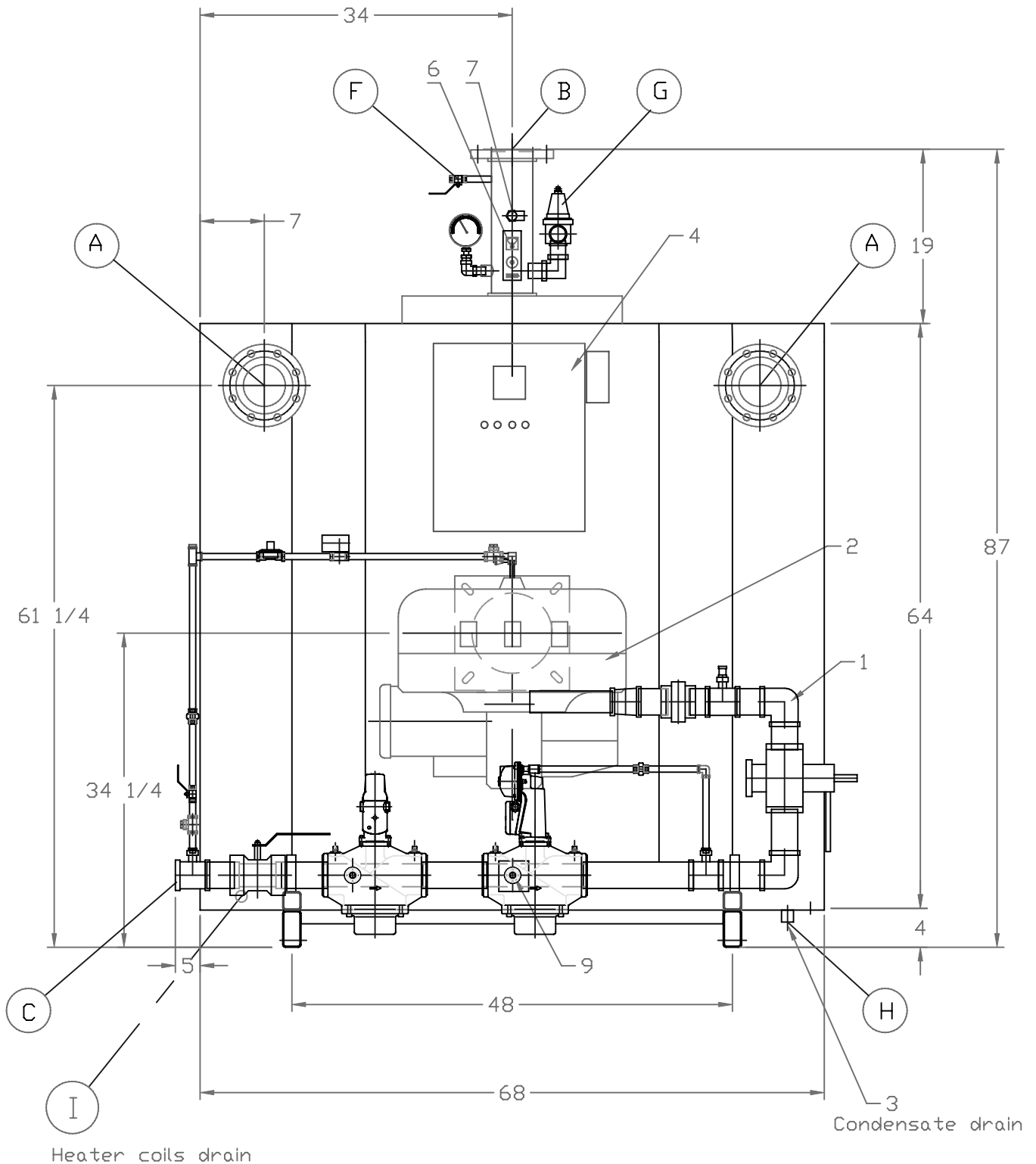
Name	Connection	Size	Type	Qty.
A	Water Inlet , S.S	4"	FLG.	2
B	Water Outlet , S.S	4"	FLG.	1
C	Gas Inlet (28"-140")	2.1/2"	NPTF	1
D	Exhaust Connection, S.S.	ø 24"		1
E				
F	Air Connection Valve, Brass	3/8"	NPTF	1
G	Pressure Relief Valve, Brass	1-1/2"	NPTF	1
H	Condensate connection	1"	NPT	1
I	Coil Drain Valve, Brass	3/4"	NPTF	1

Item	Qty.	Description	Initial
1	1	Boiler Housing Assembly	_____
2	1	Burner Assembly	_____
3	1	Condensate Drain	_____
4	1	Control Panel Assembly	_____
5	1	Low Water Cut off	_____
6	1	Temperature High Limit	_____
7	1	Temperature Sensor	_____
8	1	Flow Switch	_____
9	1	Pressure Switch	_____

Approximate Weight	5200 LB
(Empty)	
Water Capacity	165 US GAL

SCALE: NTS	GASMASTER INDUSTRIES INC. Bldg 8, 15050 54a Avenue, Surrey, B.C . CANADA
DATE: Jun 03, 08	
DRAWN: Ho	Boiler Assembly - Parts list
CHK: H□	
APPROVED: BS	SHEET: 1/4
	Dim. : Inch

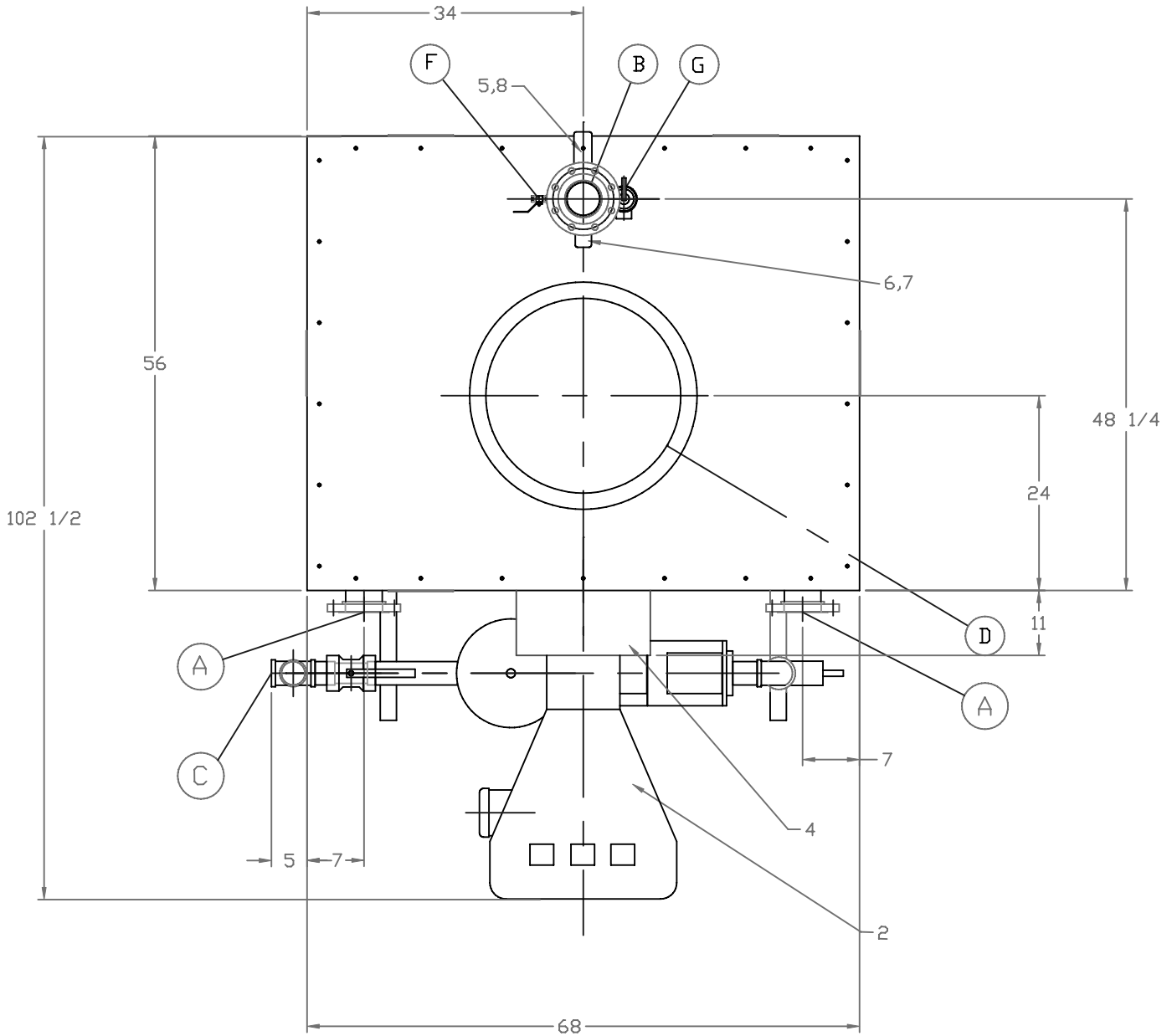
GMI-8M Boiler



SCALE: NTS
DATE: Jun 03, 08
DRAWN: Ho
CHK: HD
APPROVED: BS

GASMASTER INDUSTRIES INC. Bldg 8, 15050 54a Avenue, Surrey, B.C. CANADA	
Boiler Assembly - front view	
SHEET: 2/4	Dim.: Inch

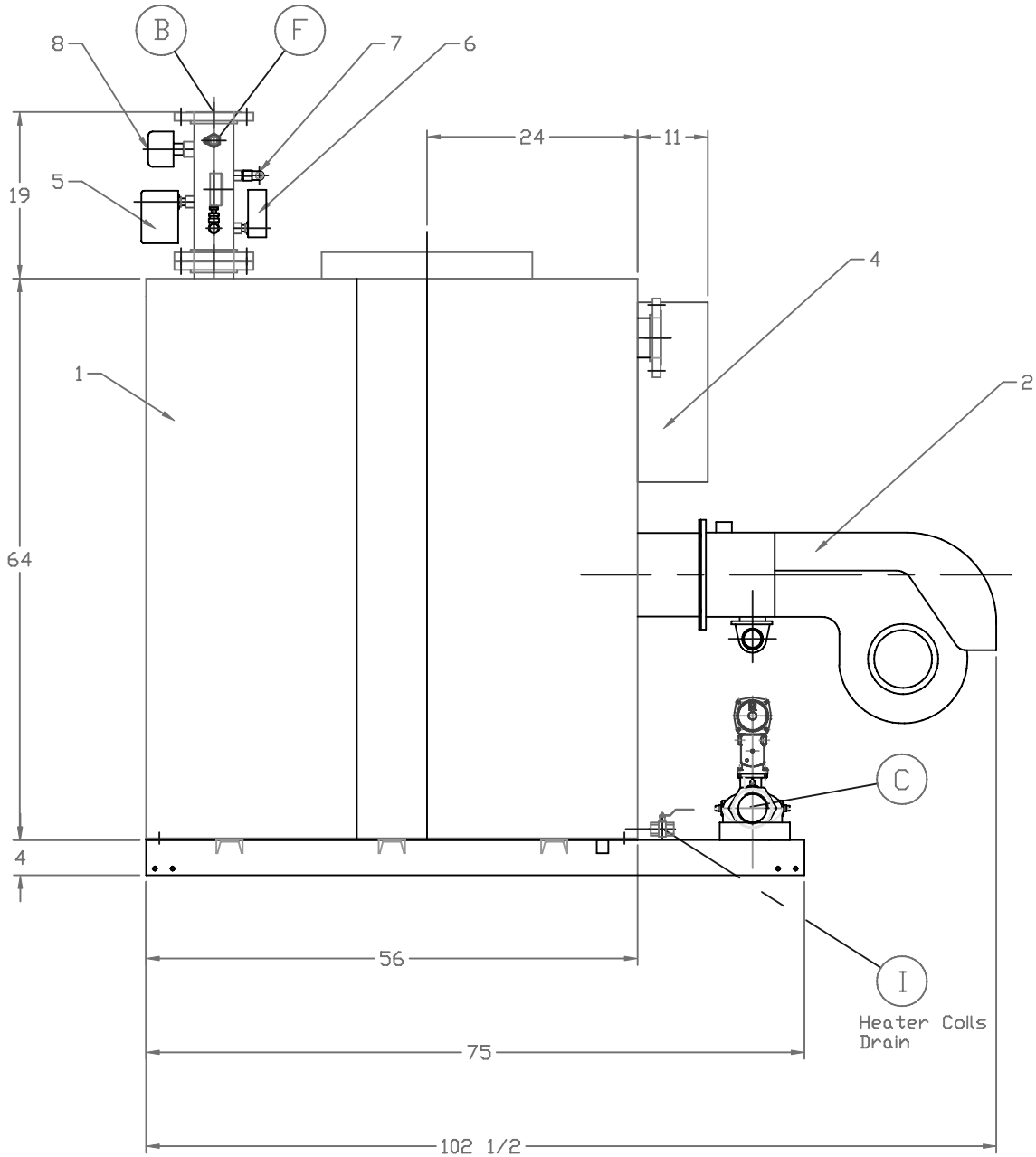
GMI-8M Boiler



SCALE: NTS
DATE: Jun 03, 08
DRAWN: Ho
CHK: H□
APPROVED: BS

GASMASTER INDUSTRIES INC. Bldg 8, 15050 54a Avenue, Surrey, B.C. CANADA	
Boiler Assembly – top view	
SHEET: 3/4	Dim. : Inch

GMI-8M Boiler



SCALE: NTS
DATE: Jun 03, 08
DRAWN: Ho
CHK: H□
APPROVED: BS

GASMASTER INDUSTRIES INC. Bldg 8, 15050 54a Avenue, Surrey, B.C. CANADA	
Boiler Assembly – side view	
SHEET: 4/4	Dim. : Inch