

# GMI-4M Boiler

2007 ASME BOILER & PRESSURE VESSEL CODE  
SECTION IV.

HTP	MAWP	TEMP
240 PSI	160 PSI	210° F

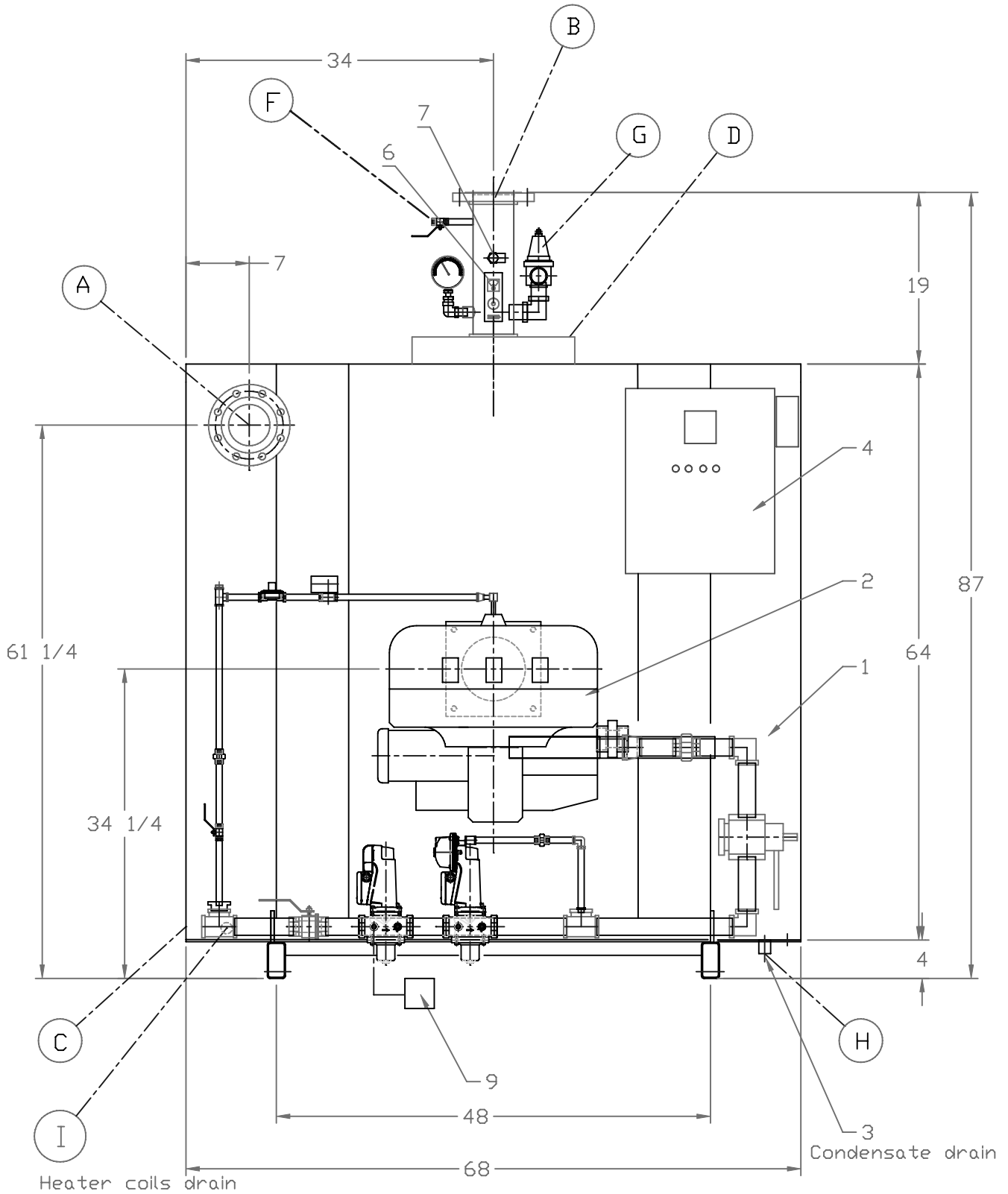
Name	Connection	Size	Type	Qty.	
A	Water Inlet , S.S	4"	FLG.	1	
B	Water Outlet , S.S	4"	FLG.	1	
C	Gas Inlet (28-140"wc)	1-1/2"	NPTF	1	
D	Exhaust Connection, S.S.	ø18"		1	
E					
F	Air Connection Valve, Brass	3/8"	NPTF	1	
G	Pressure Relief Valve, Brass	1-1/4"	NPTF	1	150 PSI
H	Condensate connection	3/4"	NPT	1	
I	Heater Coils Drain Valve	3/4"	NPT	1	

Item	Qty.	Description	Initial
1	1	Boiler Housing Assembly	_____
2	1	Burner Assembly	_____
3	1	Condensate Drain	_____
4	1	Control Panel Assembly	_____
5	1	Low Water Cut off	_____
6	1	Temperature High Limit	_____
7	1	Temperature Sensor	_____
8	1	Flow Switch	_____
9	1	Pressure Switch	_____

Approximate Weight (Empty)	3450 LB
Water Capacity	83 US GAL

SCALE: NTS	GASMASTER INDUSTRIES INC.	
DATE: Jun 04/08	Bldg 8, 15050 54a Avenue, Surrey, B.C . CANADA	
DRAWN: Ho	Boiler Assembly-Parts list	
CHK: H□		
APPROVED: BS		
	SHEET: 1/4	Dim. : Inch

# GMI-4M Boiler



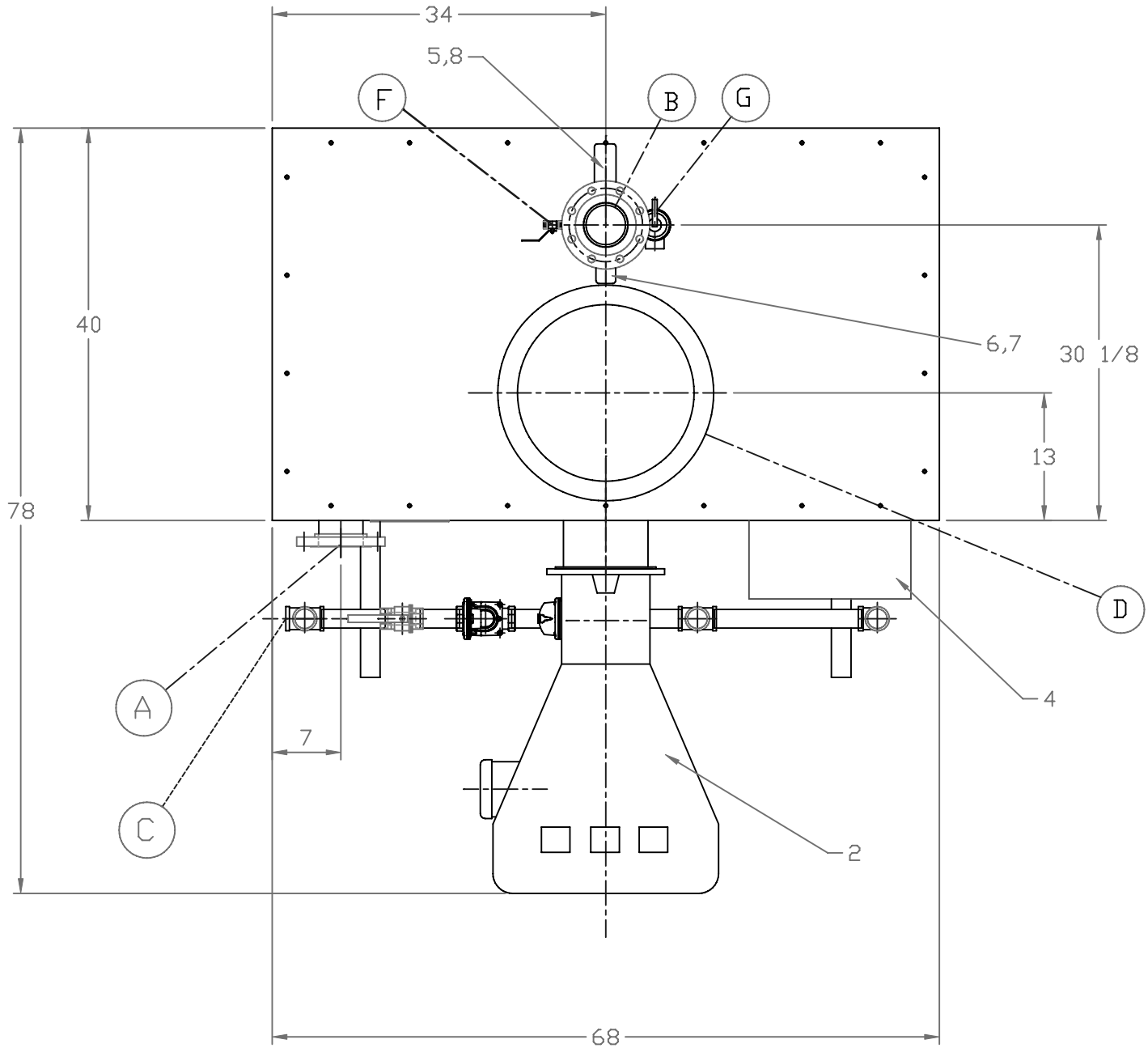
SCALE: NTS  
 DATE: Jun 04/08  
 DRAWN: Ho  
 CHK: HQ  
 APPROVED: BS

**GASMASTER INDUSTRIES INC.**  
 Bldg 8, 15050 54a Avenue, Surrey, B.C. CANADA

**Boiler Assembly - front view**

SHEET: 2/4      Dim. : Inch

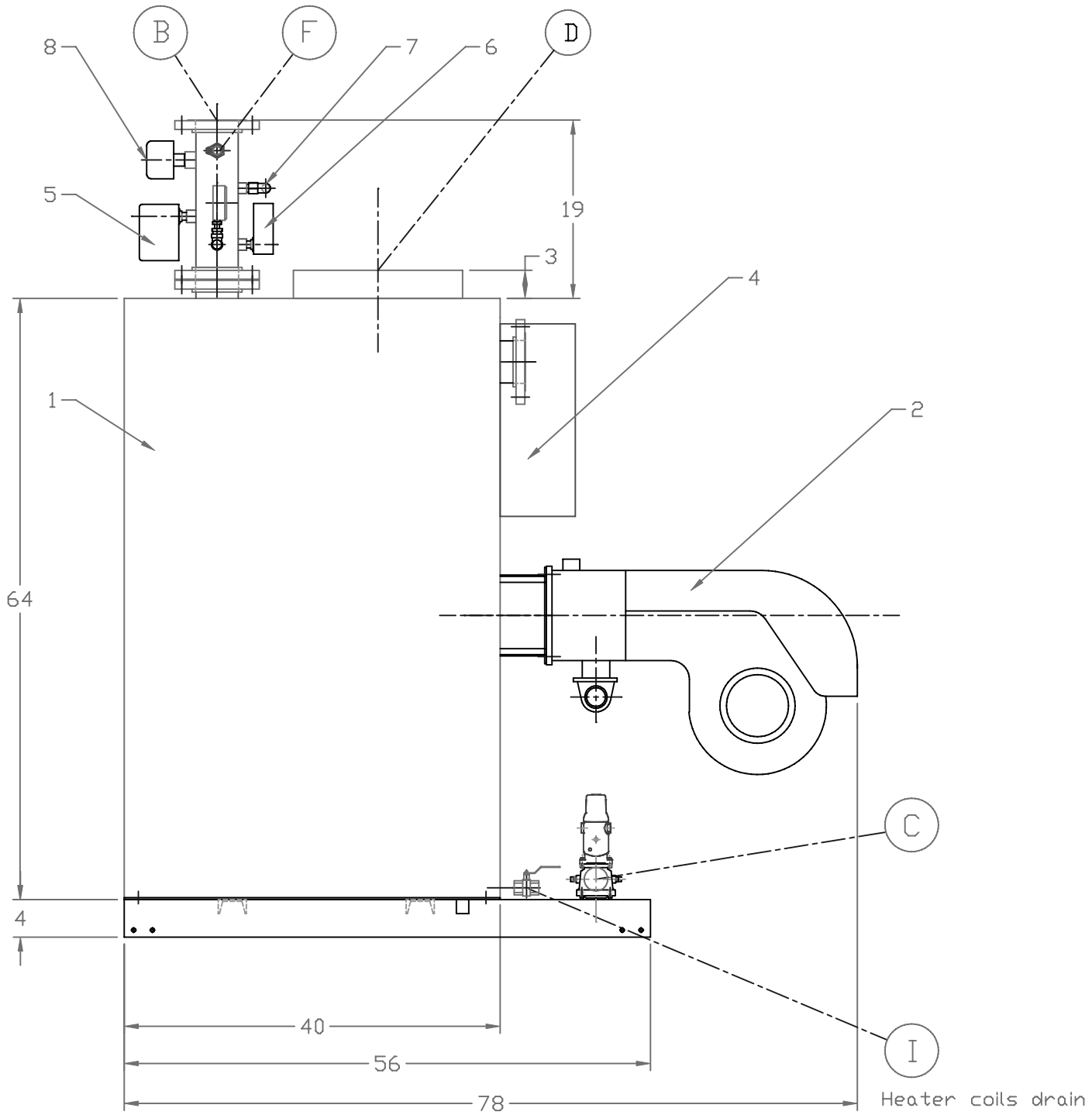
# GMI-4M Boiler



SCALE: NTS
DATE: Jun 04/08
DRAWN: Ho
CHK: H□
APPROVED: BS

GASMASTER INDUSTRIES INC. Bldg 8, 15050 54a Avenue, Surrey, B.C . CANADA	
Boiler Assembly - top view	
SHEET: 3/4	Dim. : Inch

# GMI-4M Boiler



SCALE: NTS
DATE: Jun 04/08
DRAWN: Ho
CHK: H□
APPROVED: BS

<b>GASMASTER INDUSTRIES INC.</b> Bldg 8, 15050 54a Avenue, Surrey, B.C . CANADA	
<b>Boiler Assembly – side view</b>	
SHEET: 4/4	Dim. : Inch