

GMI 400 Boiler

2004 ASME BOILER & PRESSURE VESSEL CODE SECTION IV

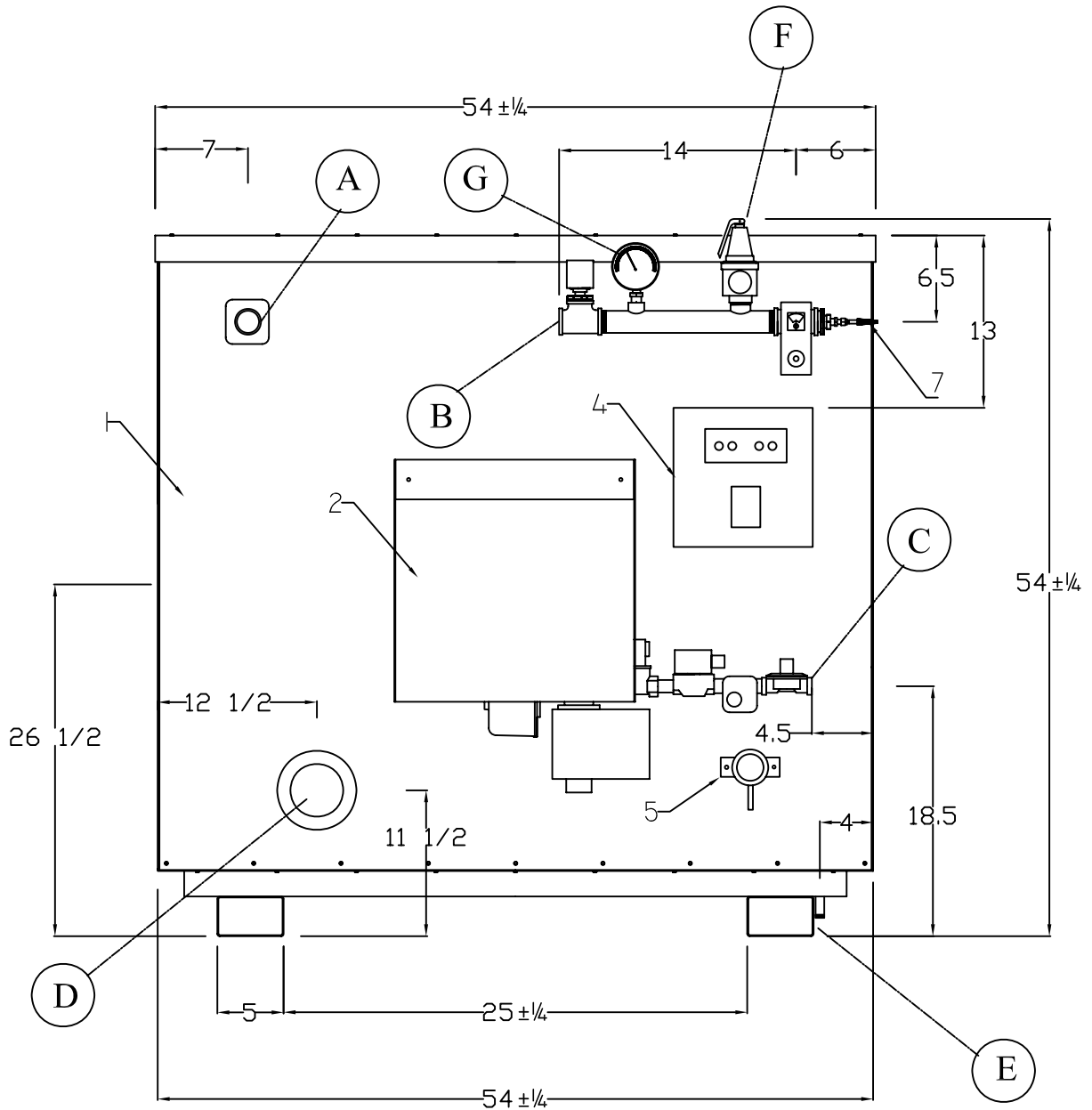
HTP	MAWP	TEMP
240 PSI	160 PSI	210° F

Name	Connection	Size	Type	Qty.
A	Water Inlet , S.S	1 1/2"	NPT	1
B	Water Outlet , Brass	1 1/2"	NPT	1
C	Gas Inlet	3/4"	NPTF	1
D	Exhaust Connection	ø4"		1
E	Condensate connection	3/4"	NPT	1
F	Pressure releif valve	3/4"	NPTF	1
G	Pressure guage	1/2"		1

Item	Qty	Description	Initial
1	1	Boiler Housing Assembly	_____
2	1	Burner Assembly	_____
3	1	Flow switch	_____
4	1	Control Panel Assembly	_____
5	1	Air pressure switch	_____
6	1	Temperature High Limit	_____
7	1	Temperature Sensor	_____

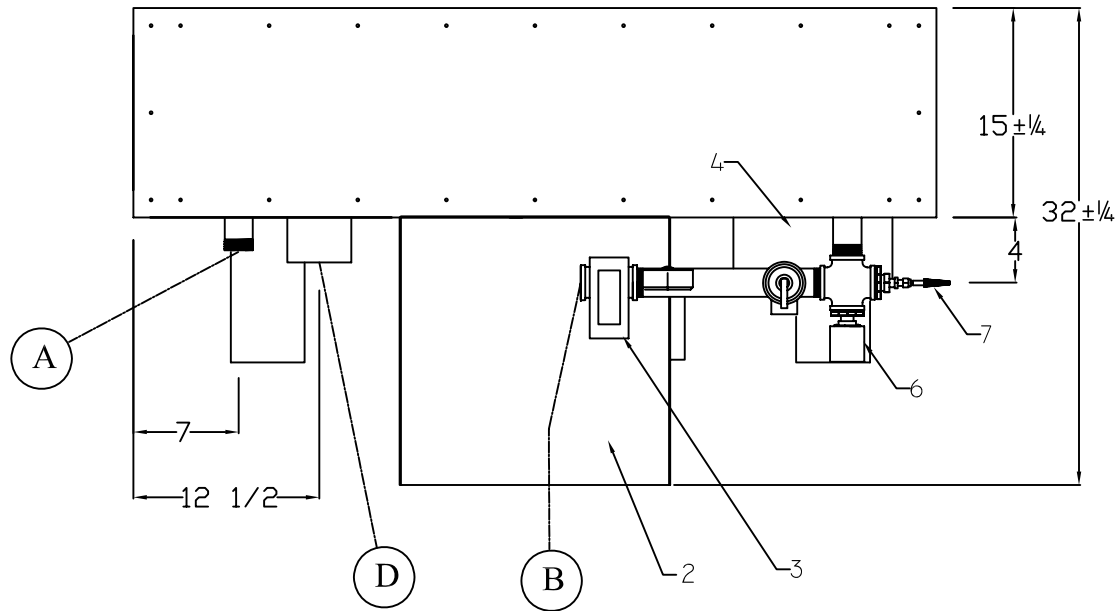
SCALE: NTS DATE: JULY 30/03 DRAWN: AF CHK: JM APPROVED: JM	GASMASTER INDUSTRIES INC. BLDG 5, 15050 54A AVENUE, SURREY, B.C . CANADA Boiler Specification	
	SHEET: 1/4	Dim. : Inch

GMI 400 Boiler



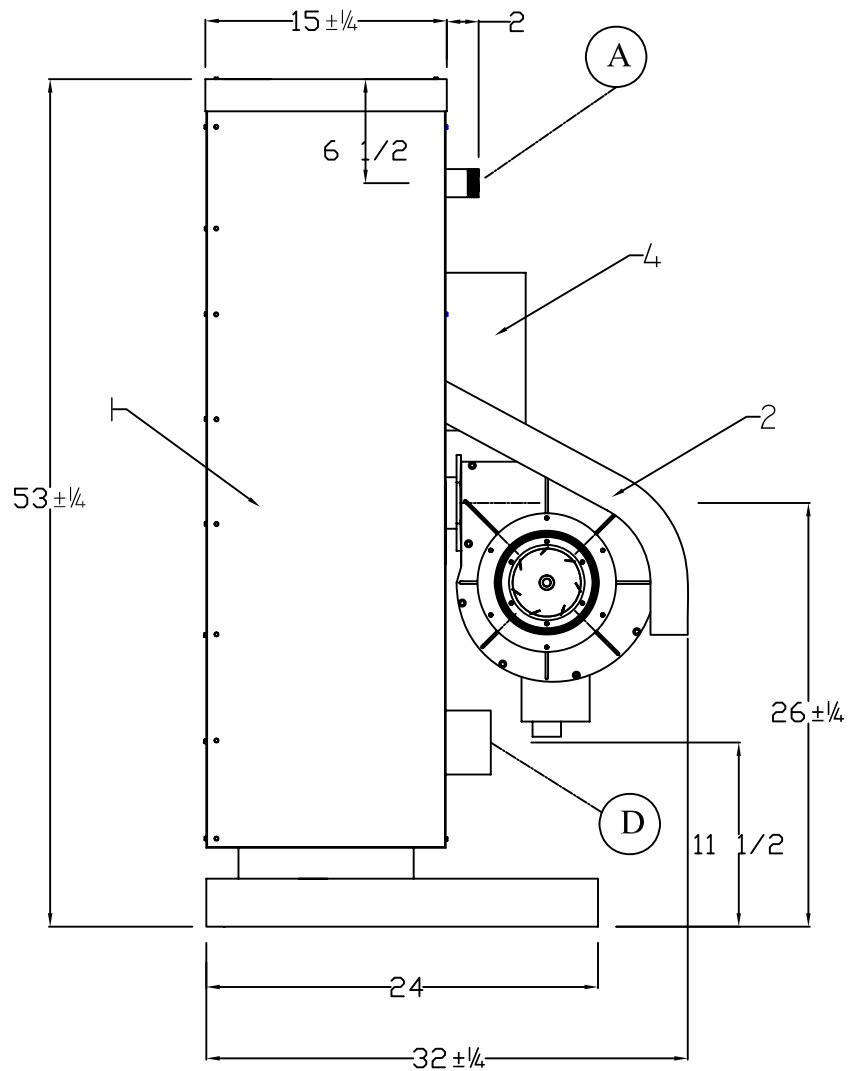
SCALE: NTS	GASMASTER INDUSTRIES INC.		
DATE: JULY 30/03	BLDG 5, 15050 54A AVENUE, SURREY, B.C. CANADA		
DRAWN: AF	Boiler Assembly - Front view		
CHK: JM			
APPROVED: JM	SHEET: 2/4	DIM. : Inch	

GMI 400 Boiler



SCALE: NTS	GASMASTER INDUSTRIES INC.		
DATE: JULY 30/03	BLDG 5, 15050 54A AVENUE, SURREY, B.C. . CANADA		
DRAWN: AF	Boiler Assembly - Top view		
CHK: JM			
APPROVED: JM	SHEET: 3/4	DIM. : Inch	

GMI 400 Boiler



SCALE: NTS	GASMASTER INDUSTRIES INC.		
DATE: JULY 30/03	BLDG 5, 15050 54A AVENUE, SURREY, B.C. . CANADA		
DRAWN: AF	Boiler Assembly - Side view		
CHK: JM			
APPROVED: JM	SHEET: 4/4	DIM. : Inch	