

GMI 2M Boiler

2007 ASME BOILER & PRESSURE VESSEL CODE
SECTION IV

HTP	MAWP	TEMP
240 PSI	160 PSI	210° F

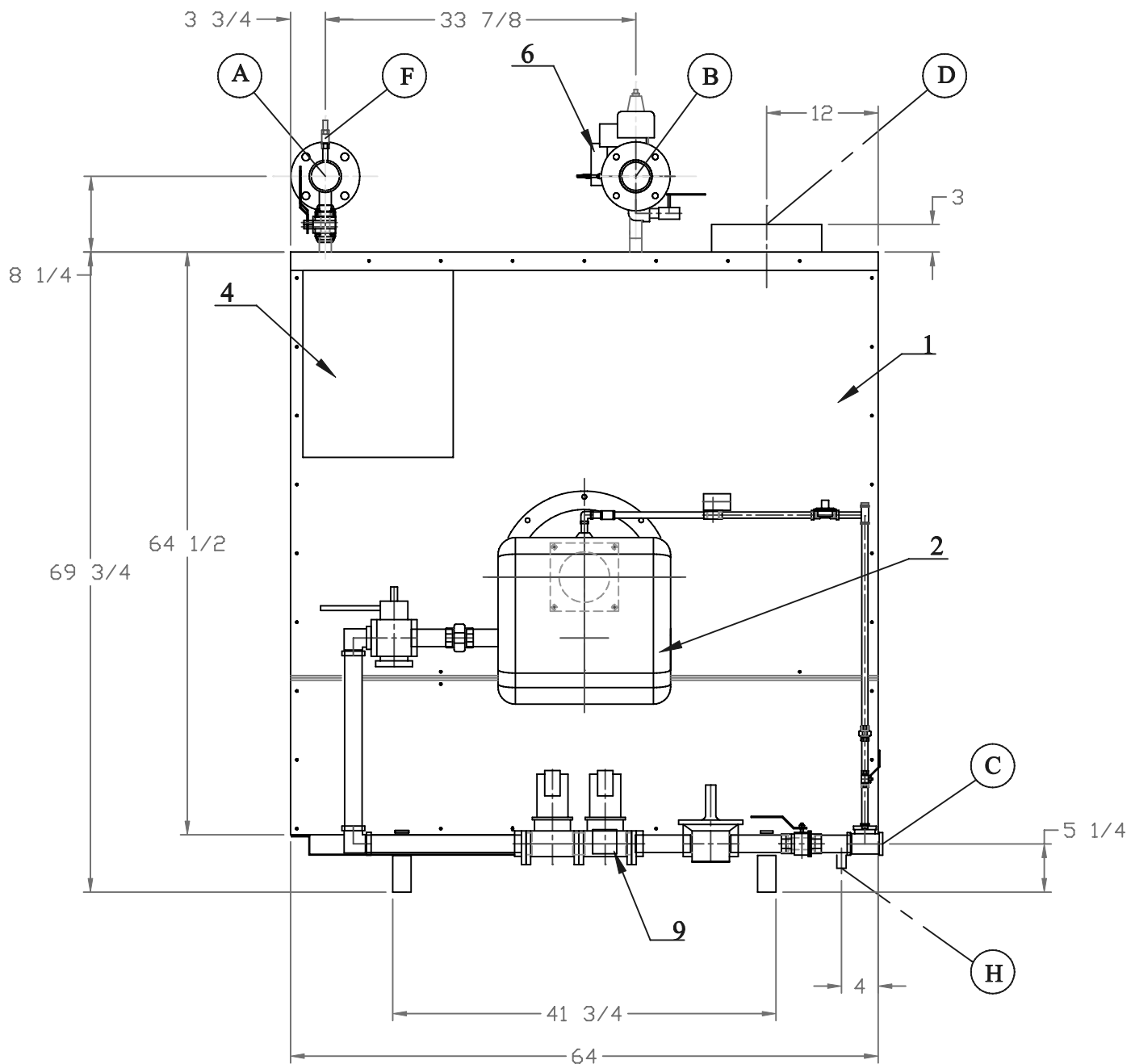
Name	Connection	Size	Type	Qty.
A	Water Inlet, S.S	3"	FLG	1
B	Water Outlet, S.S	3"	FLG	1
C	Gas Inlet (28"– 140" wc)	1-1/2"	NPTF	1
D	Exhaust Connection	ø12"		1
E	Purging Valve, S.S.	1"		5
F	Air Connection Valve, Brass	3/8"	NPTF	2
G	Pressure Relief Valve, Brass	1-1/4"	NPTF	1
H	Condensate connection	3/4"	NPT	1

Item	Qty	Description	Initial
1	1	Boiler Housing Assembly	_____
2	1	Burner Assembly	_____
3	1	Condensate Drain Assembly	_____
4	1	Control Panel Assembly	_____
5	1	Low Water Cut off	_____
6	1	Temperature High Limit	_____
7	1	Temperature Sensor	_____
8	1	Flow Switch	_____
9	1	Pressure Switch	_____

APPROXIMATE WEIGHT	1900 LB
(EMPTY)	
WATER CAPACITY	41 US GAL

SCALE: NTS	GASMASTER INDUSTRIES INC.	
DATE: JUN 04, 08	BLDG 8, 15050 54A AVENUE, SURREY, B.C . CANADA	
DRAWN: HO	Boiler Specification	
CHK: HO	SHEET: 1/5	DIM. : Inch
APPROVED: BS		

GMI 2M Boiler

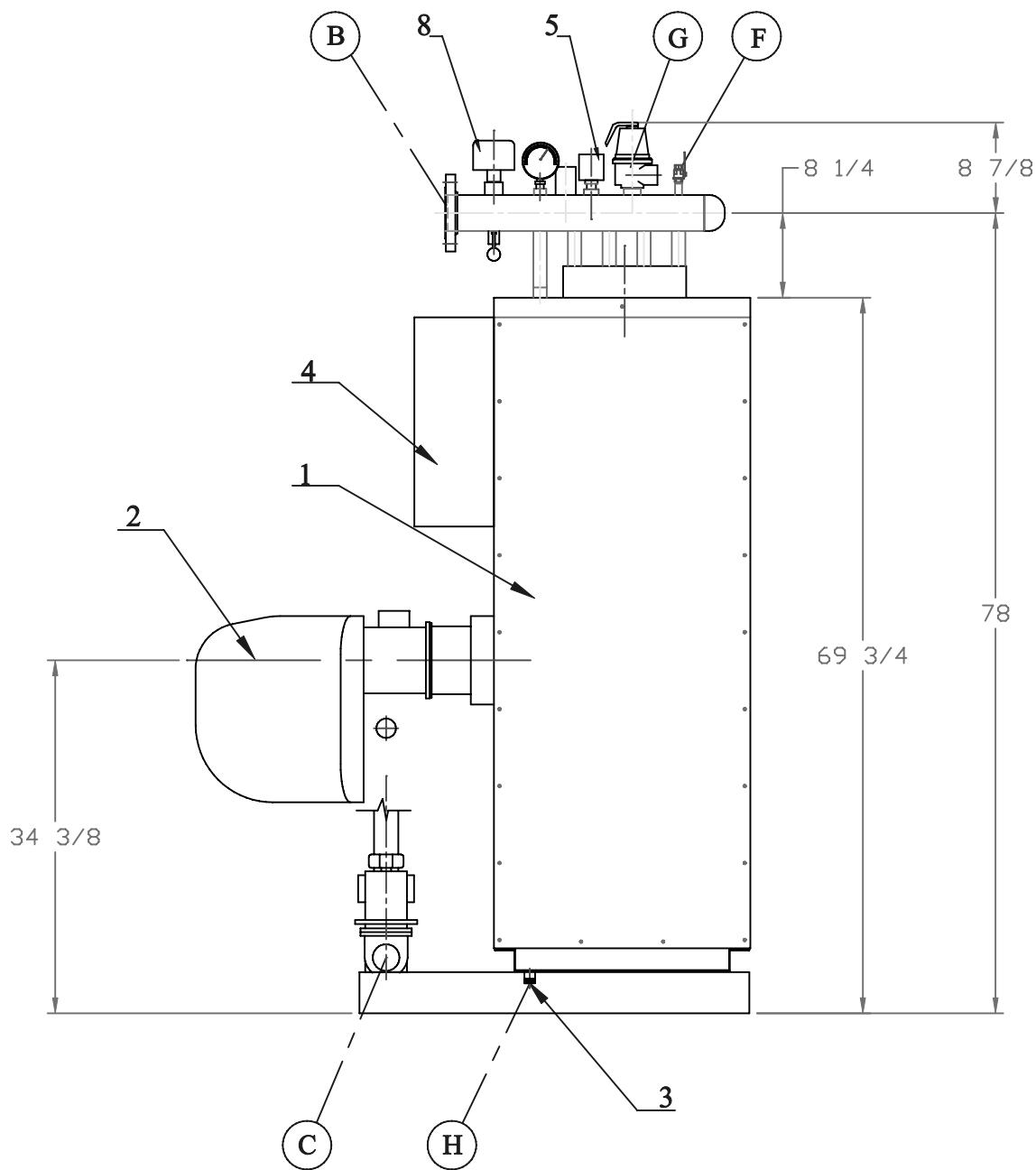


SCALE: NTS
DATE: JUN 04, 08
DRAWN: Ho
CHK: HO
APPROVED: BS

GASMASTER INDUSTRIES INC.
 BLDG 8, 15050 54A AVENUE, SURREY, B.C . CANADA

Boiler Assembly - Front View

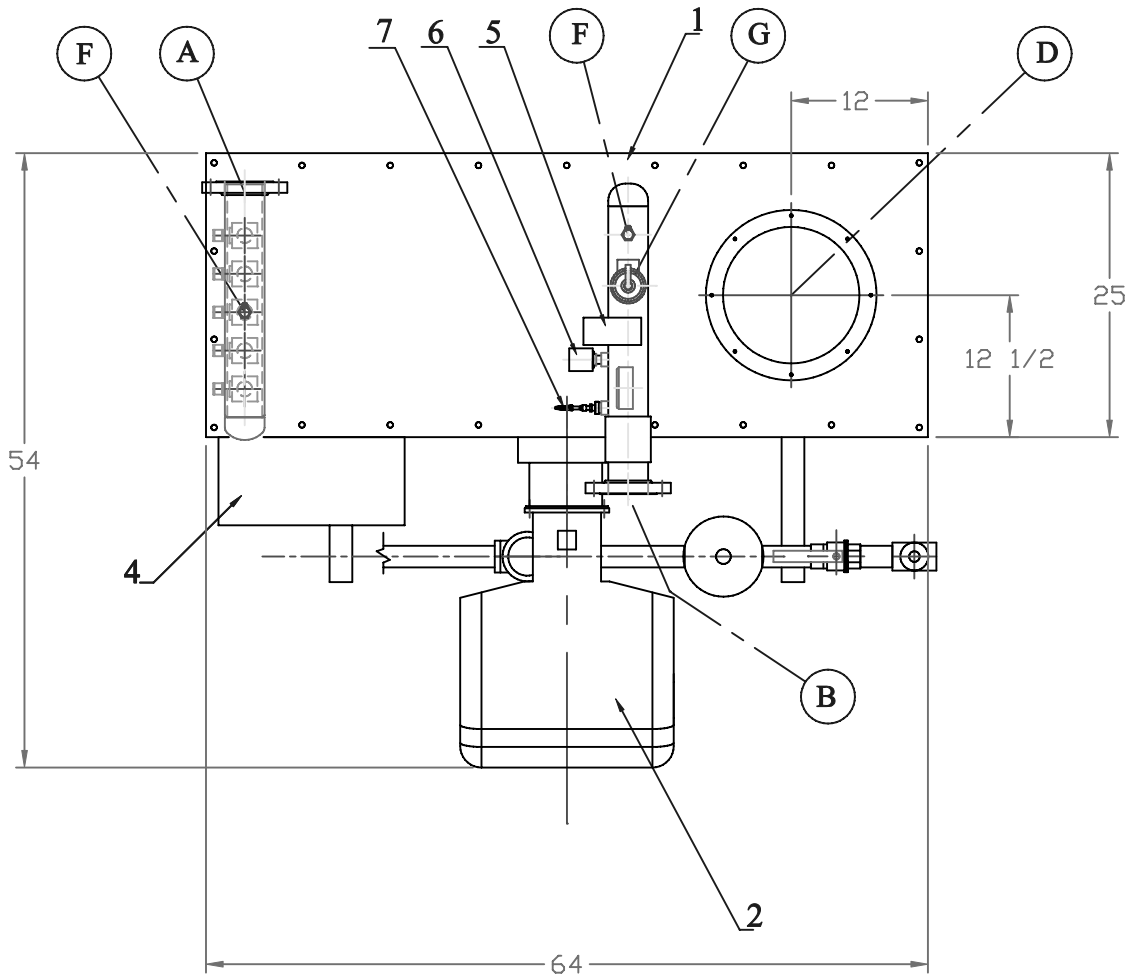
GMI 2M Boiler



SCALE: NTS
DATE: JUN 04, 08
DRAWN: Ho
CHK: HO
APPROVED: BS

GASMASTER INDUSTRIES INC. BLDG 8, 15050 54A AVENUE, SURREY, B.C . CANADA	
Boiler Assembly - Right view	
SHEET: 4/5	DIM. : Inch

GMI 2M Boiler



SCALE: NTS
DATE: JUN 04, 08
DRAWN: HO
CHK: HO
APPROVED: BS

GASMASTER INDUSTRIES INC. BLDG 8, 15050 54A AVENUE, SURREY, B.C . CANADA	
Boiler Assembly - Top view	
SHEET: 5/5	DIM. : Inch