

GMI 2M-L Boiler

2007 ASME BOILER & PRESSURE VESSEL CODE
SECTION IV

HTP	MAWP	TEMP
240 PSI	160 PSI	210° F

Name	Connection	Size	Type	Qty.
A	Water Inlet , S.S	4"	FLG	1
B	Water Outlet , S.S	4"	FLG	1
C	Gas Inlet (28"-140" wc)	1-1/2"	NPTF	1
D	Exhaust Connection	ø12"		1
E	Purging Valve , S.S.	1-1/4"		5
F	Air Connection Valve , Brass	3/8"	NPTF	1
G	Pressure Relief Valve , Brass	1-1/4"	NPTF	1
H	Condensate connection	3/4"	NPT	1

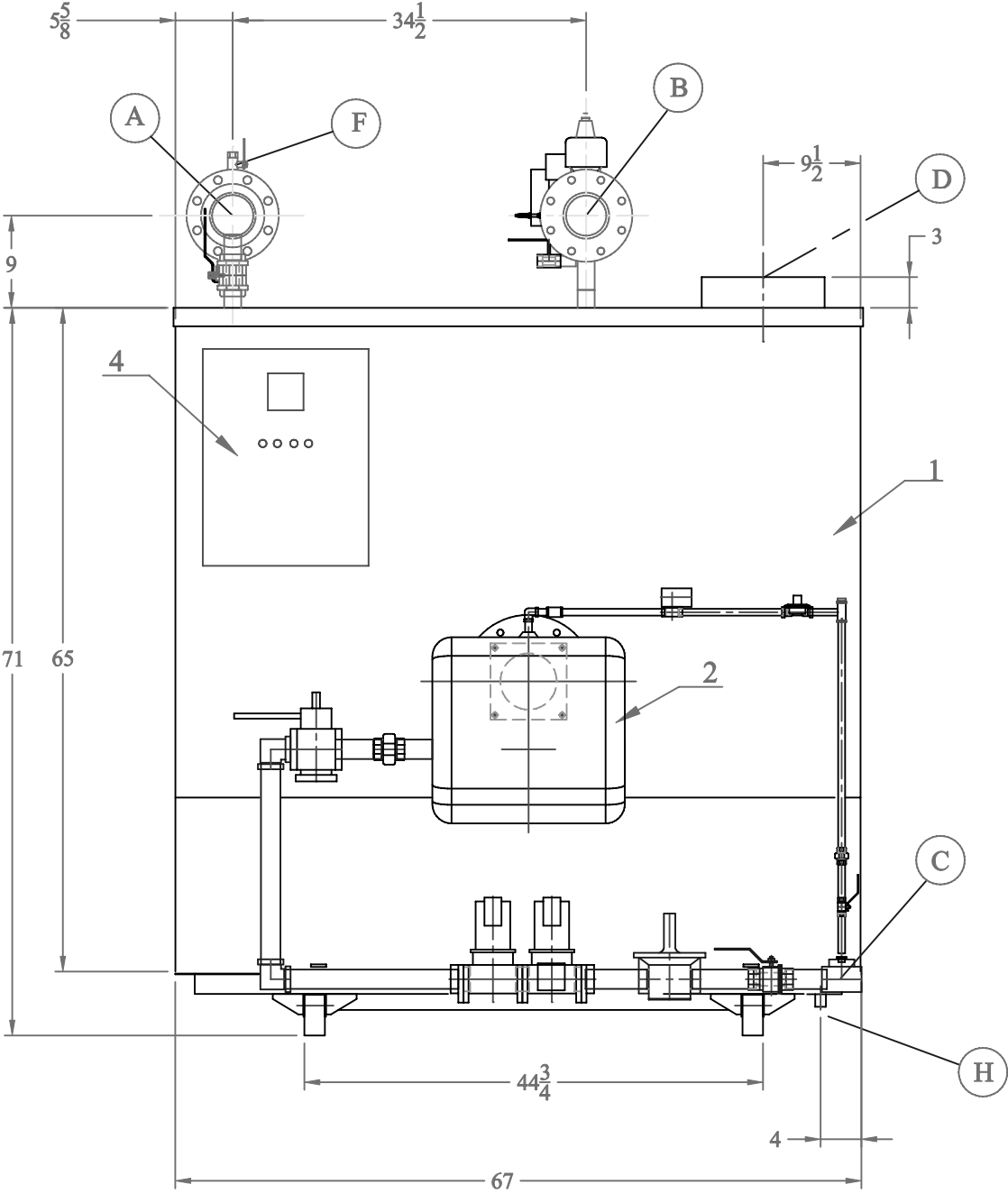
<i>Item</i>	<i>Qty</i>	<i>Description</i>	<i>Initial</i>
1	1	Boiler Housing Assembly	_____
2	1	Burner Assembly	_____
3	1	Condensate Drain	_____
4	1	Control Panel Assembly	_____
5	1	Temperature Sensor	_____
6	1	Low Water Cut off	_____
7	1	Temperature High Limit	_____
8	1	Flow Switch	_____

APPROXIMATE WEIGHT (EMPTY)	1950 LB
WATER CAPACITY	49.5 US GAL

Note : Desire options MUST be initialed by customer .

SCALE: NTS DATE: JUN 10, 08 DRAWN: HO CHK: HO APPROVED: BS	GASMASTER INDUSTRIES INC. BLDG 8, 15050 54A AVENUE, SURREY, B.C . CANADA Boiler Assembly - Part list
	SHEET: 1/5 DIM. : Inch

GMI 2M-L Boiler

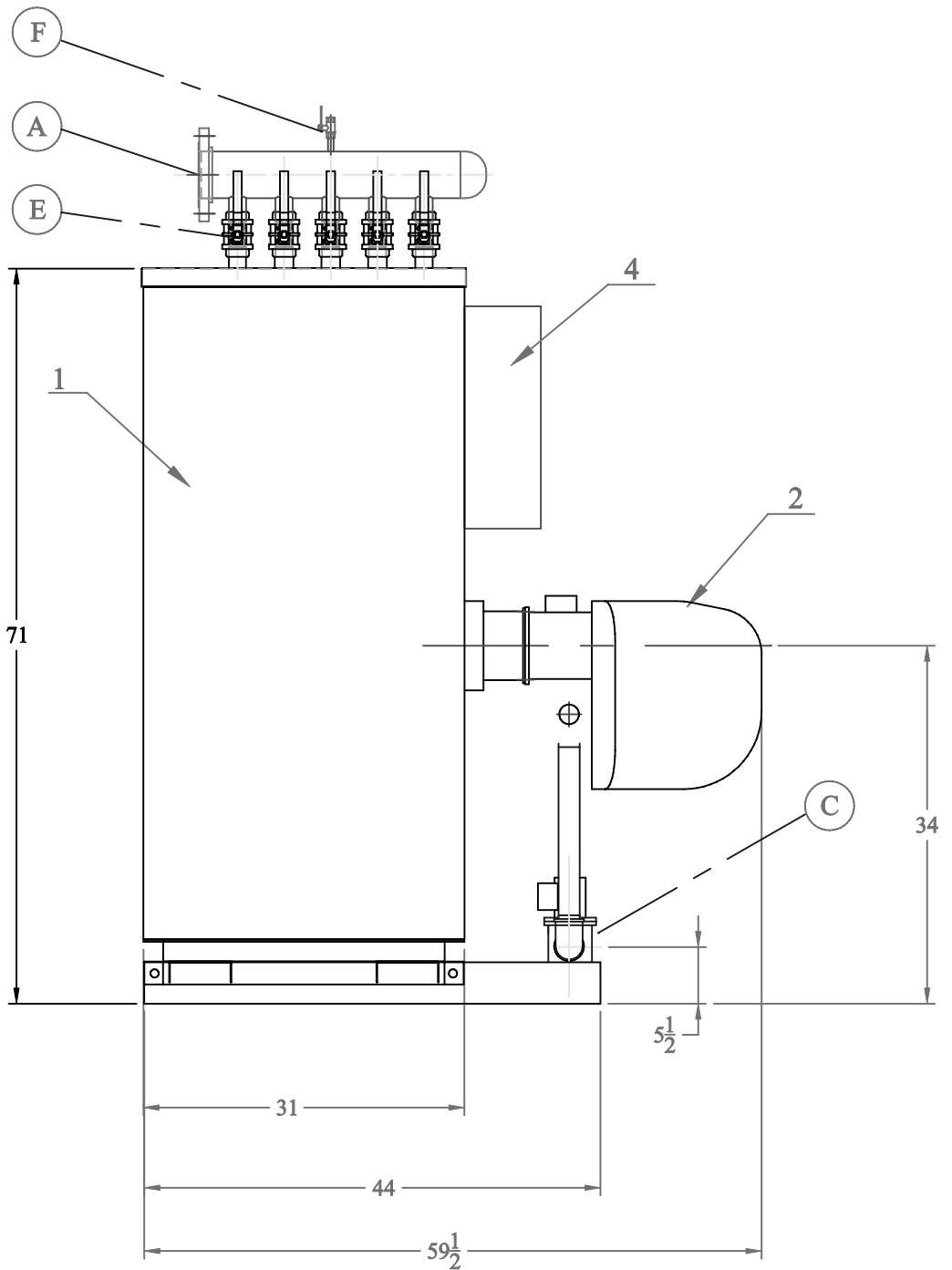


SCALE: NTS
DATE: FEB18 08
DRAWN: HO
CHK: HO
APPROVED: BS

GASMASTER INDUSTRIES INC.
BLDG 8, 15050 54A AVENUE, SURREY, B.C. CANADA

Boiler Assembly - Front view

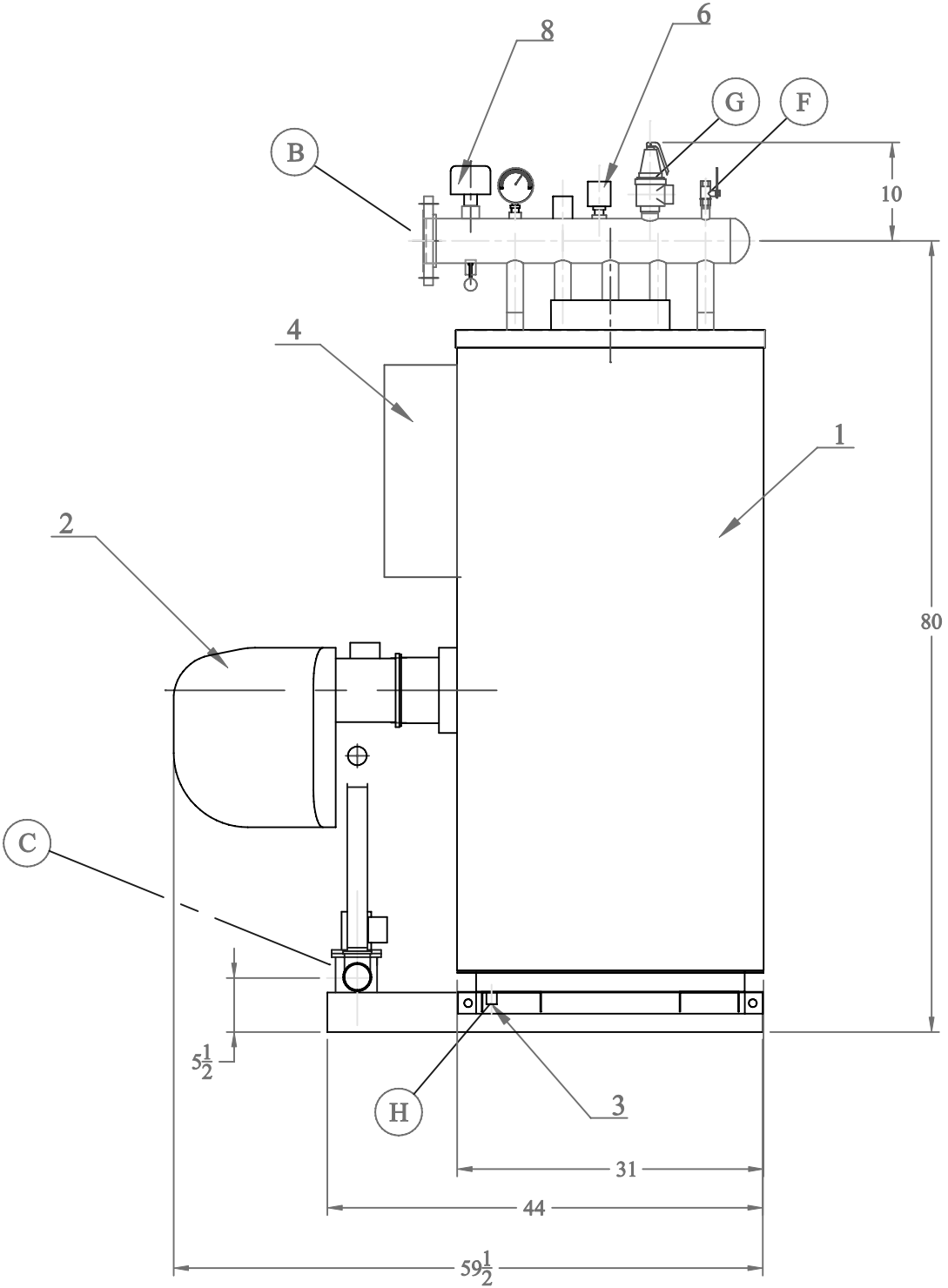
GMI 2M-L Boiler



SCALE: NTS
DATE: JUN 10, 08
DRAWN: HO
CHK: HO
APPROVED: BS

GASMASTER INDUSTRIES INC. BLDG 8, 15050 54A AVENUE, SURREY, B.C . CANADA	
Boiler Assembly - Left view	
SHEET: 3/5	DIM. : Inch

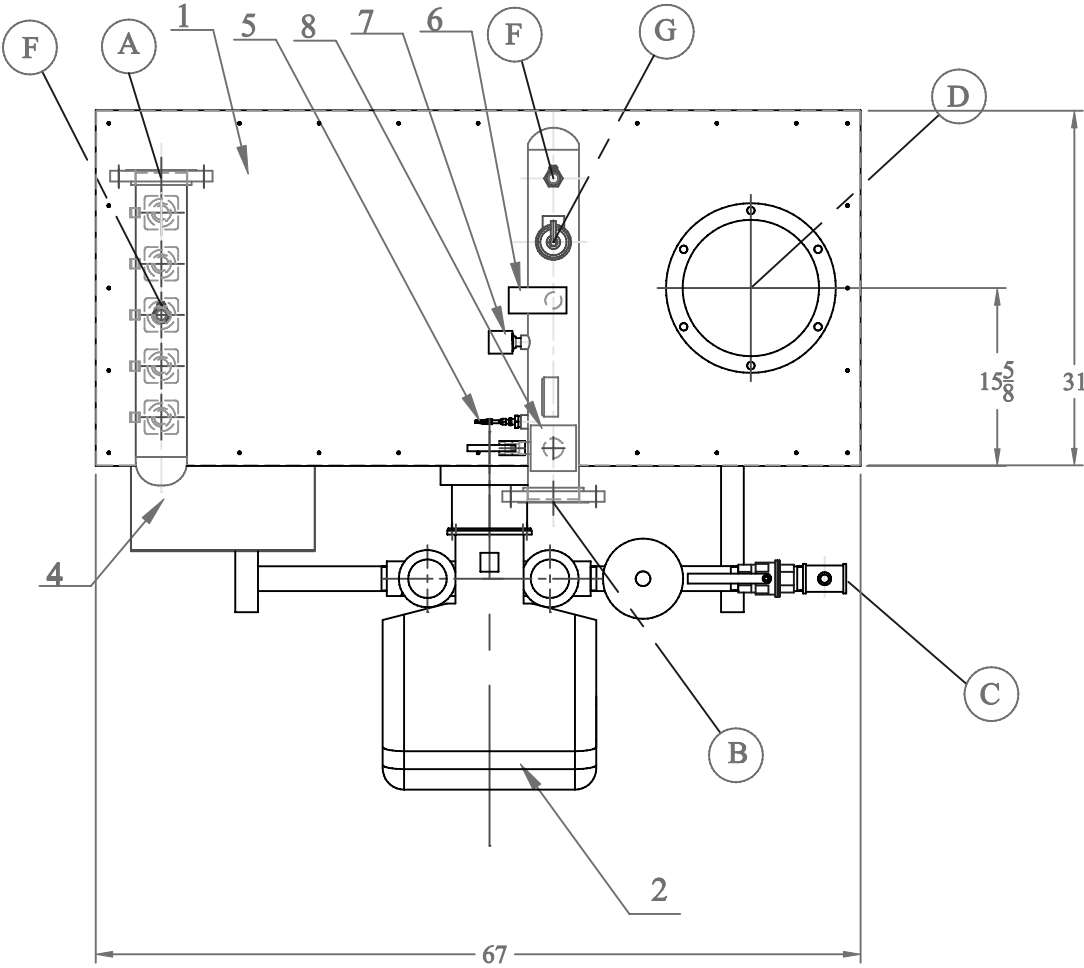
GMI 2M-L Boiler



SCALE: NTS
DATE: JUN 10, 08
DRAWN: HO
CHK: HO
APPROVED: BS

GASMASTER INDUSTRIES INC. BLDG 8, 15050 54A AVENUE, SURREY, B.C. CANADA	
Boiler Assembly - Right view	
SHEET: 4/5	DIM. : Inch

GMI 2M-L Boiler



SCALE: NTS
DATE: JUN 10, 08
DRAWN: HO
CHK: HO
APPROVED: BS

GASMASTER INDUSTRIES INC. BLDG 8, 15050 54A AVENUE, SURREY, B.C . CANADA	
Boiler Assembly - Top view	
SHEET: 5/5	DIM. : Inch