

GMI 200 Water Heater

2004 ASME BOILER & PRESSURE VESSEL CODE
SECTION IV

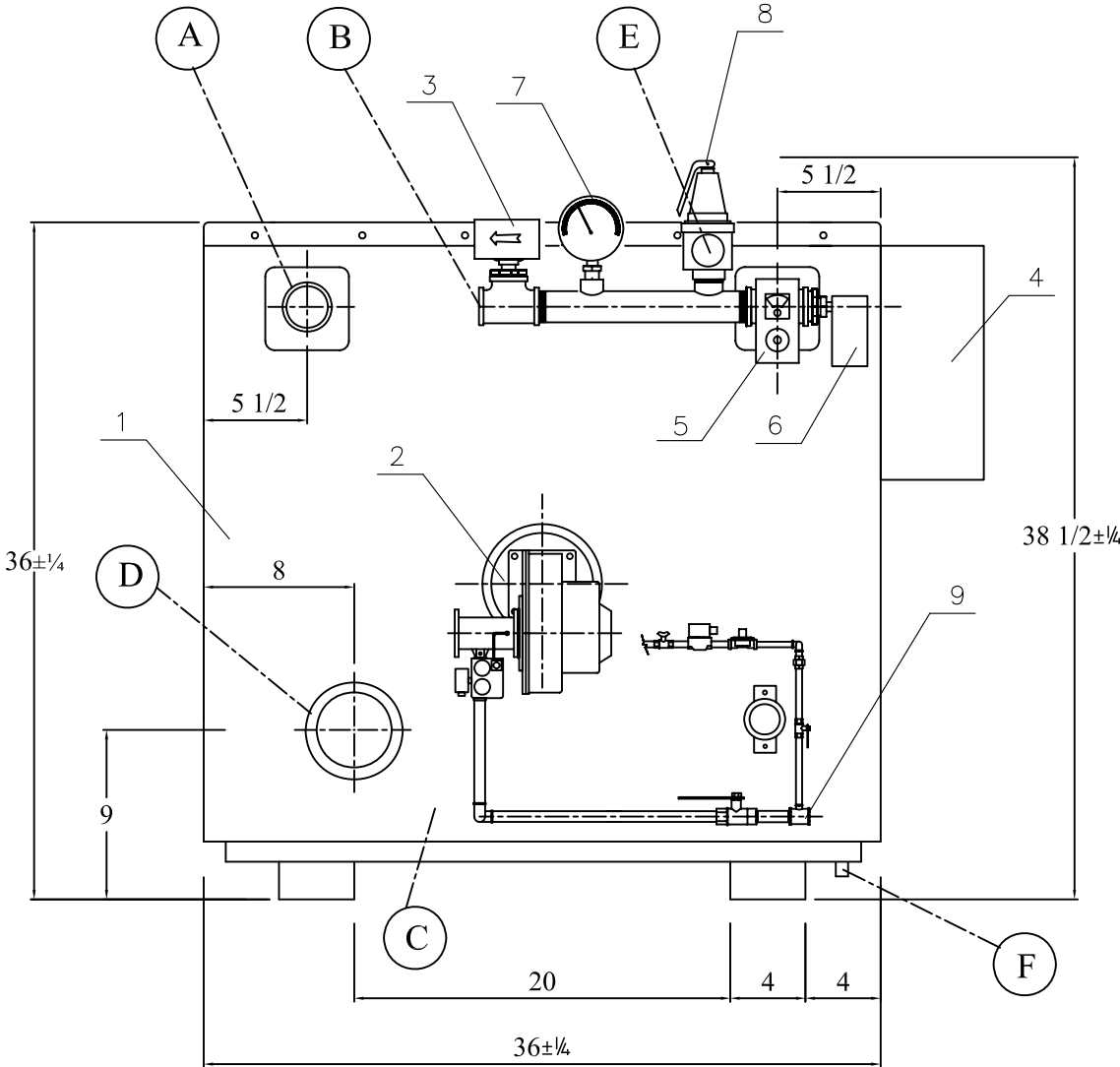
HTP	MAWP	TEMP
240 PSI	160 PSI	210° F

Name	Connection	Size	Type	Qty.
A	Water Inlet	1-1/2"	NPTF	1
B	Water Outlet	1-1/2"	NPTF	1
C	Gas Inlet	1/2"	NPTF	1
D	Exhaust Connection	ø4"		1
E	Pressure Relief Valve , Brass	3/4"	NPTF	1
F	Condensate connection	1/2"	NPT	1

Item	Qty	Description
1	1	Boiler Housing Assembly
2	1	Burner Assembly
3	1	Water Flow Switch
4	1	Control panel
5	1	Temperature High Limit
6	1	Aquastat
7	1	Pressure gauge
8	1	Pressure Relief Valve
9	1	Casing pressure switch

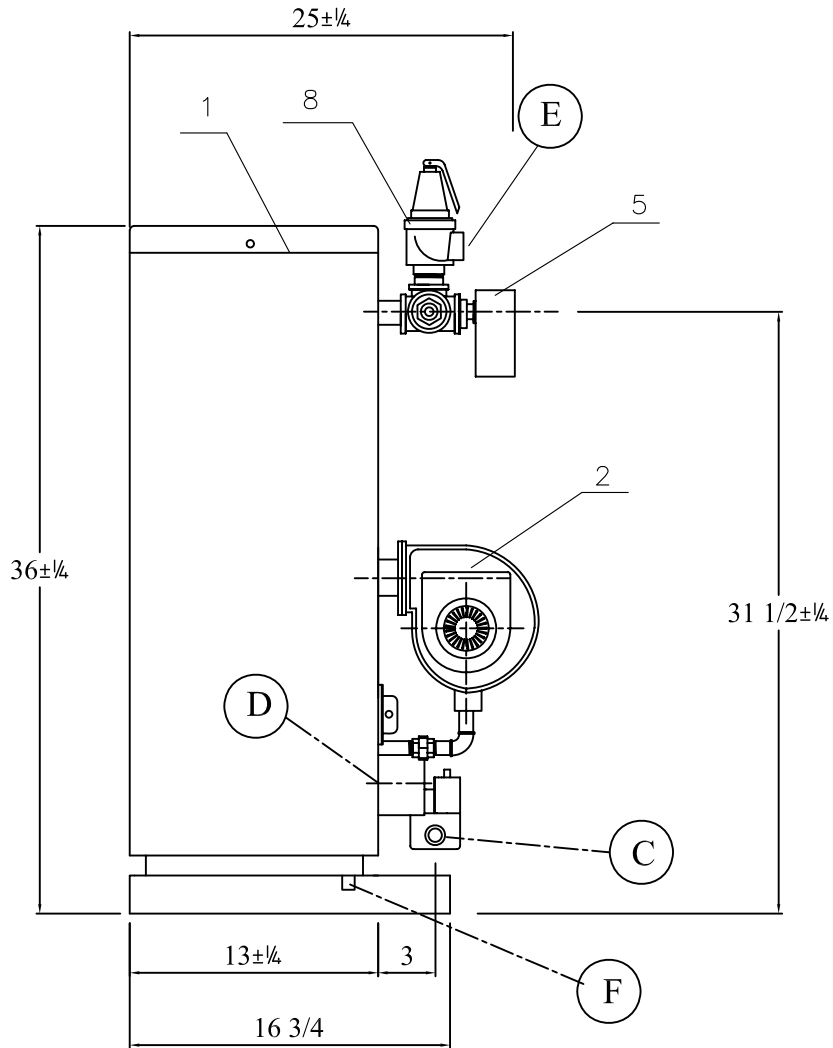
SCALE: NTS DATE: MAY 30/03 DRAWN: RS CHK: DM APPROVED: DM	GASMASTER INDUSTRIES INC. BLDG 5, 15050 54A AVENUE, SURREY, B.C . CANADA Water Heater Specification
	SHEET: 1/3 Dim. : Inch

GMI 200 Water Heater



SCALE: NTS	GASMASTER INDUSTRIES INC.		
DATE: Aug. 27/03	BLDG 5, 15050 54A AVENUE, SURREY, B.C. . CANADA		
DRAWN: RS	Water Heater Assembly - front view		
CHK: DM			
APPROVED: DM	SHEET: 2/3	DIM. : Inch	

GMI 200 Water Heater



SCALE: NTS	GASMASTER INDUSTRIES INC.		
DATE: Aug 27/03	BLDG 5, 15050 54A AVENUE, SURREY, B.C. . CANADA		
DRAWN: RS	Water Heater Assembly - side view		
CHK: DM			
APPROVED: DM	SHEET: 3/3	DIM. : Inch	