

GMI 1.5M Boiler

2007 ASME BOILER & PRESSURE VESSEL CODE
SECTION IV

HTP	MAWP	TEMP
240 PSI	160 PSI	210° F

Name	Connection	Size	Type	Qty.
A	Water Inlet , S.S	3"	FLG.	1
B	Water Outlet , S.S	3"	FLG.	1
C	Gas Inlet (8"-14" wc)	1-1/2"	NPTF	1
D	Exhaust Connection	Ø12"		1
E	Purging Valve , S.S.	1"		4
F	Air Connection Valve, Brass	3/8"	NPTF	2
G	Pressure Relief Valve, Brass	1-1/4"	NPTF	1
H	Condensate connection	3/4"	NPT	1

Item	Qty	Description	Initial
1	1	Boiler Housing Assembly	_____
2	1	Burner Assembly (Riello)	_____
3	1	Condensate Drain Assembly	_____
4	1	Control Panel Assembly	_____
5	1	Low Water Cut off	_____
6	1	Temperature High Limit	_____
7	1	Temperature Sensor	_____
8	1	Flow Switch	_____
9	1	Pressure Switch	_____

APPROXIMATE WEIGHT	1760 LB
(EMPTY)	
WATER CAPACITY	34 US GAL

SCALE: NTS
DATE: MAY22 08
DRAWN: Ho
CHK: HO
APPROVED: BS

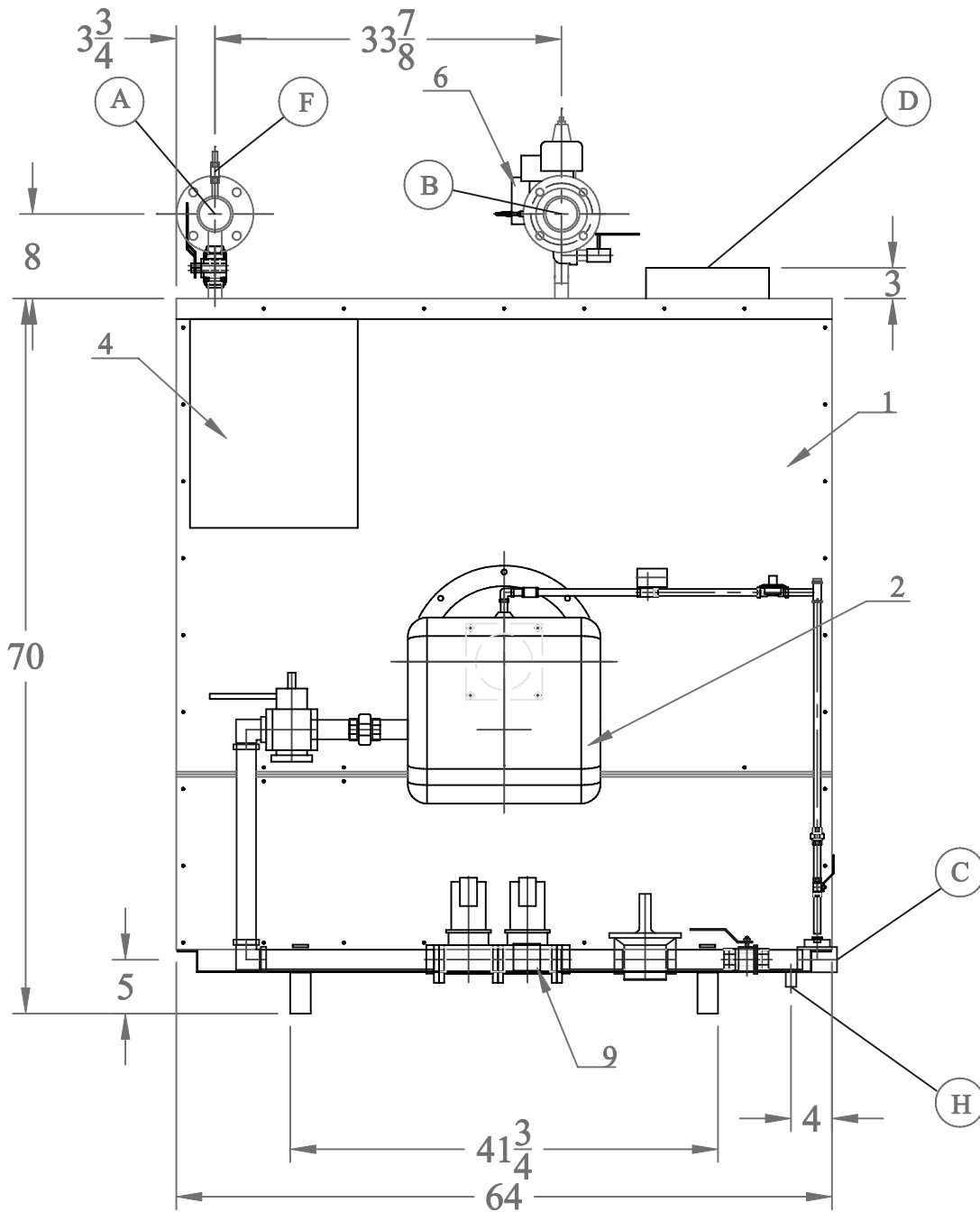
GASMASTER INDUSTRIES INC.
BLDG 8, 15050 54A AVENUE, SURREY, B.C . CANADA

Boiler Specification w/ condensate tank

SHEET: 1/5

DIM. : **Inch**

GMI 1.5M Boiler

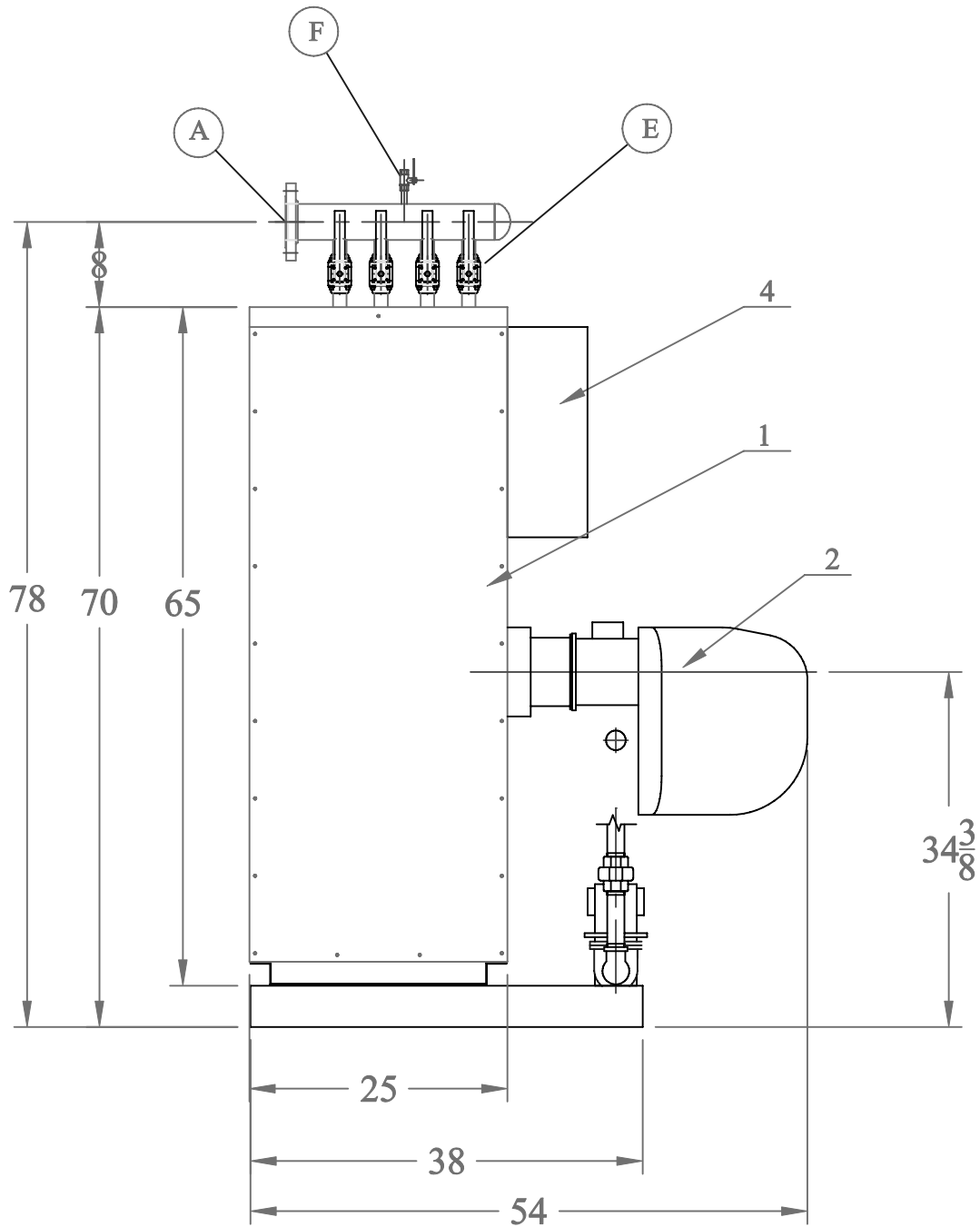


SCALE: NTS
DATE: MAY22 08
DRAWN: Ho
CHK: HO
APPROVED: BS

GASMASTER INDUSTRIES INC.
 BLDG 8, 15050 54A AVENUE, SURREY, B.C. CANADA

Boiler Assembly with tank- Front View

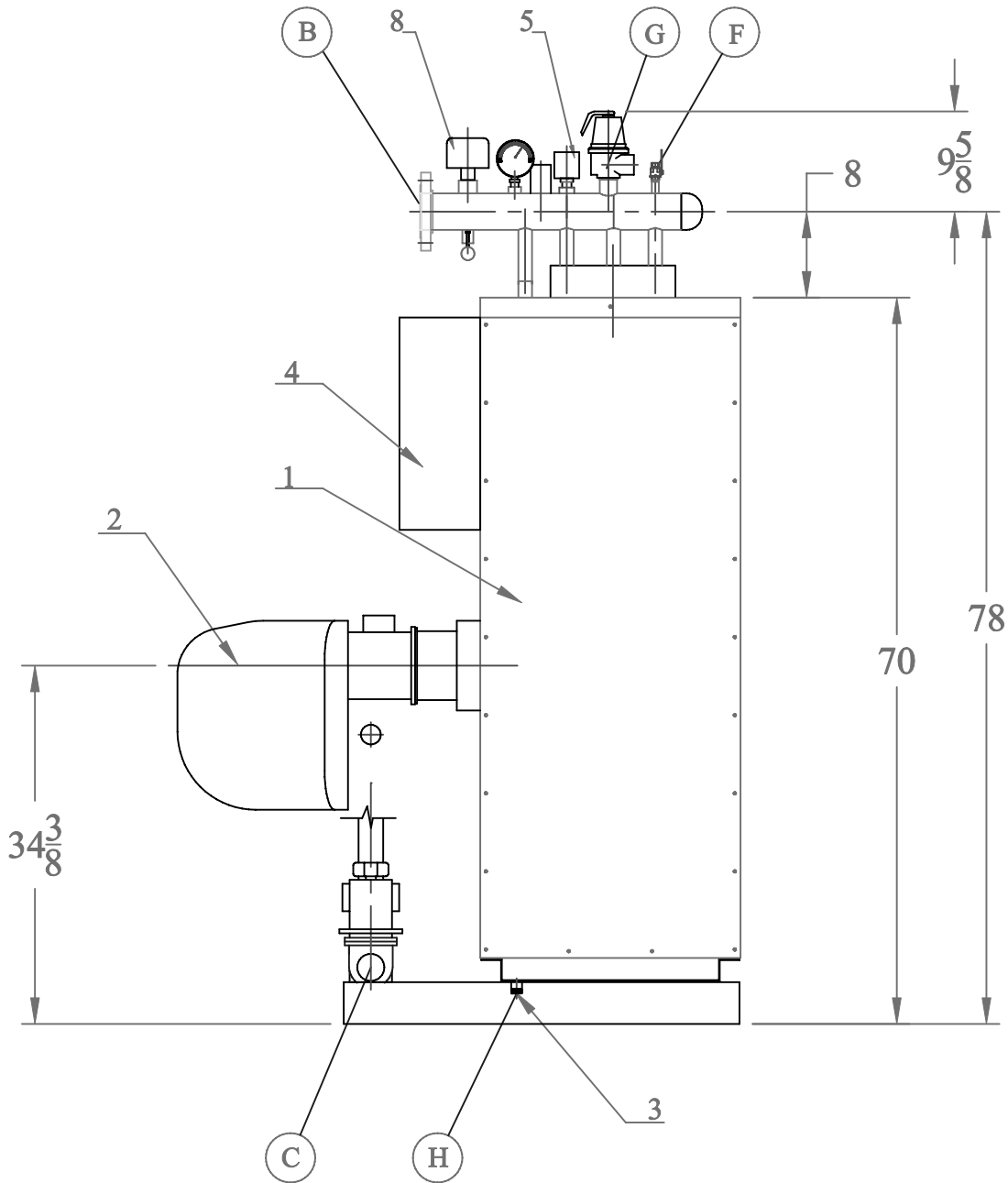
GMI 1.5M Boiler



SCALE: NTS
DATE: MAY22 08
DRAWN: HO
CHK: HO
APPROVED: BS

GASMASTER INDUSTRIES INC. BLDG 8, 15050 54A AVENUE, SURREY, B.C . CANADA	
Boiler Assembly with tank - Left view	
SHEET: 3/5	DIM. : Inch

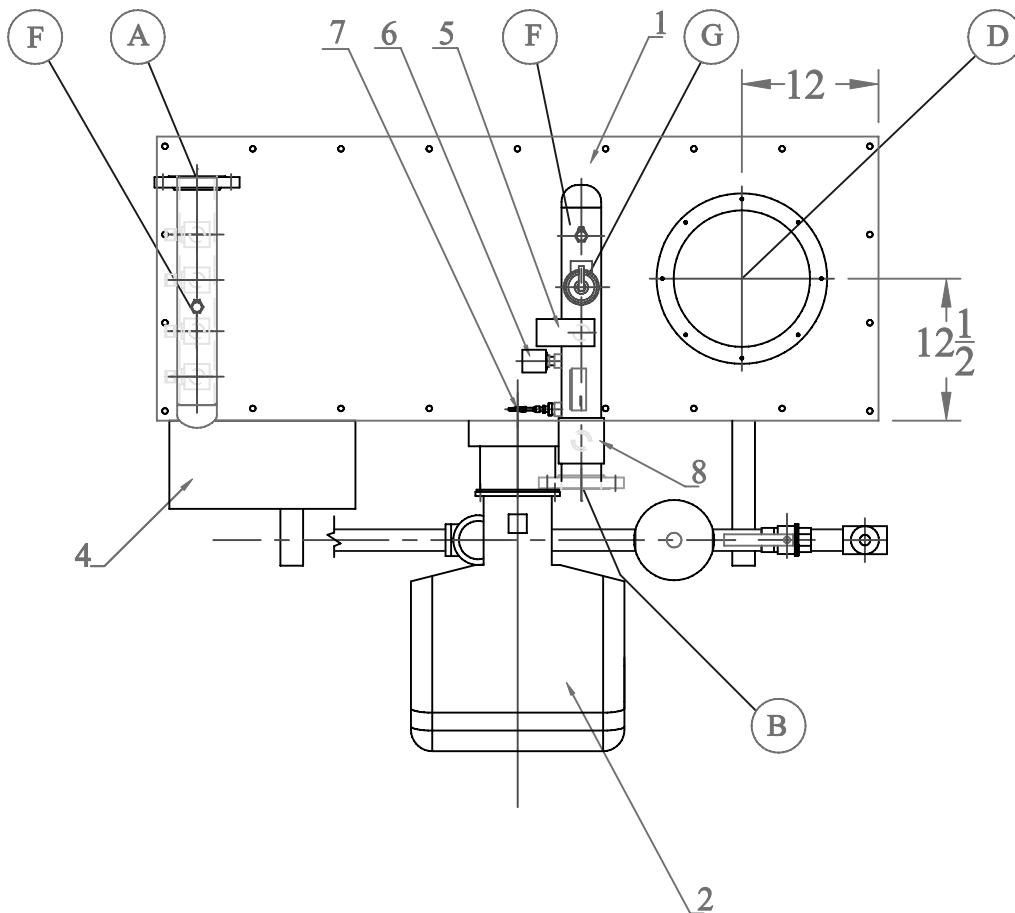
GMI 1.5M Boiler



SCALE: NTS
DATE: MAY22 08
DRAWN: H0
CHK: HO
APPROVED: BS

GASMASTER INDUSTRIES INC. BLDG 8, 15050 54A AVENUE, SURREY, B.C. CANADA	
Boiler Assembly with tank - Right view	
SHEET: 4/5	DIM. : Inch

GMI 1.5M Boiler



SCALE: NTS
DATE: MAY22 08
DRAWN: HO
CHK: HO
APPROVED: BS

GASMASTER INDUSTRIES INC. BLDG 8, 15050 54A AVENUE, SURREY, B.C . CANADA	
Boiler Assembly with tank - Top view	
SHEET: 5/5	DIM. : Inch