

GMI 1M Boiler

2007 ASME BOILER & PRESSURE VESSEL CODE
SECTION IV

HTP	MAWP	TEMP
240 PSI	160 PSI	210° F

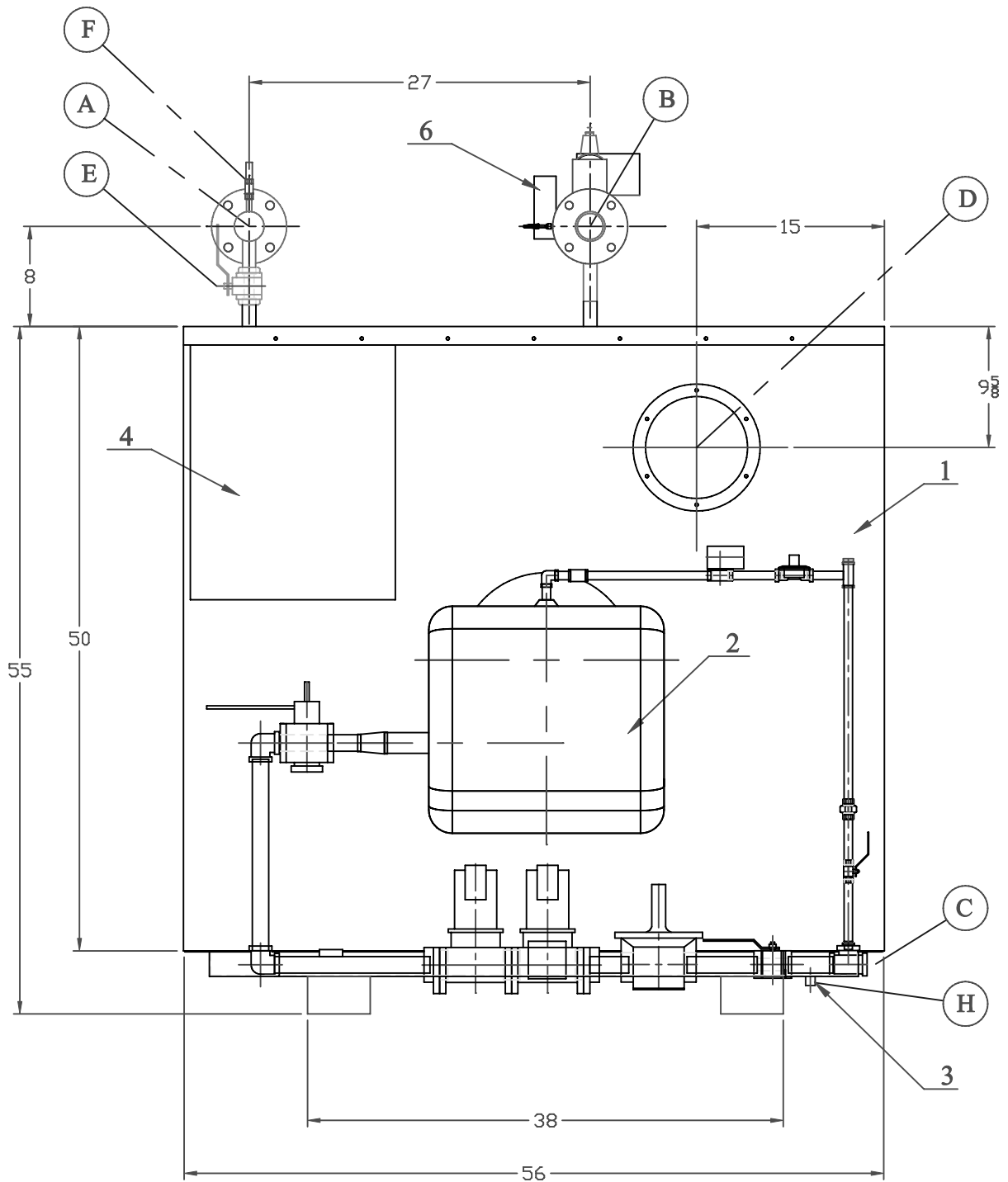
Name	Connection	Size	Type	Qty.
A	Water Inlet, S.S	2"	FLG.	1
B	Water Outlet, S.S	2"	FLG.	1
C	Gas Inlet (28" - 140" wc)	1"	NPTF	1
D	Exhaust Connection	ø8"		1
E	Purging Valve, S.S.	3/4"	NPTF	3
F	Air Connection Valve, Brass	3/8"	NPTF	2
G	Pressure Relief Valve, Brass	1"	NPTF	1
H	Condensate connection	3/4"	NPT	1

Item	Qty	Description	Initial
1	1	Boiler Housing Assembly	_____
2	1	Burner Assembly	_____
3	1	Condensate Drain Assembly	_____
4	1	Control Panel Assembly	_____
5	1	Flow switch	_____
6	1	Temperature High Limit	_____
7	1	Temperature Sensor	_____
8	1	Low water cut off	_____

APPROXIMATE WEIGHT (EMPTY)	1260 LB
WATER CAPACITY	12.6 US GAL.

SCALE: NTS	GASMASTER INDUSTRIES INC.	
DATE: JUN 04, 08	BLDG 8, 15050 54A AVENUE, SURREY, B.C . CANADA	
DRAWN: HO	Boiler Assembly (Parts list)	
CHK: HO		
APPROVED: BS		SHEET: 1/5
		DIM. : Inch

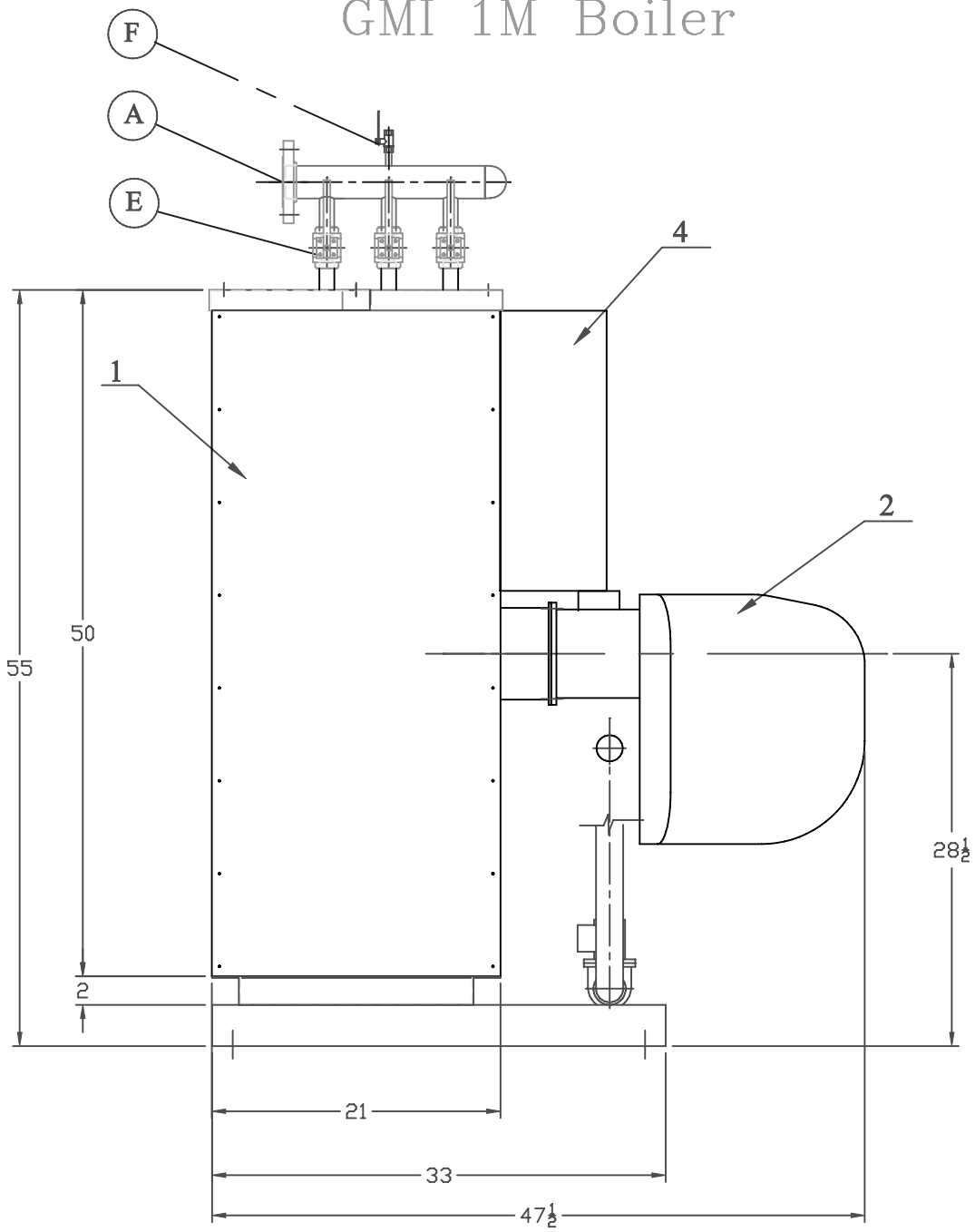
GMI 1M Boiler



SCALE: NTS
DATE: JUN 04, 08
DRAWN: HO
CHK: HO
APPROVED: BS

GASMASTER INDUSTRIES INC. BLDG 8, 15050 54A AVENUE, SURREY, B.C. CANADA	
Boiler Assembly (Front view)	
SHEET: 2/5	DIM. : Inch

GMI 1M Boiler

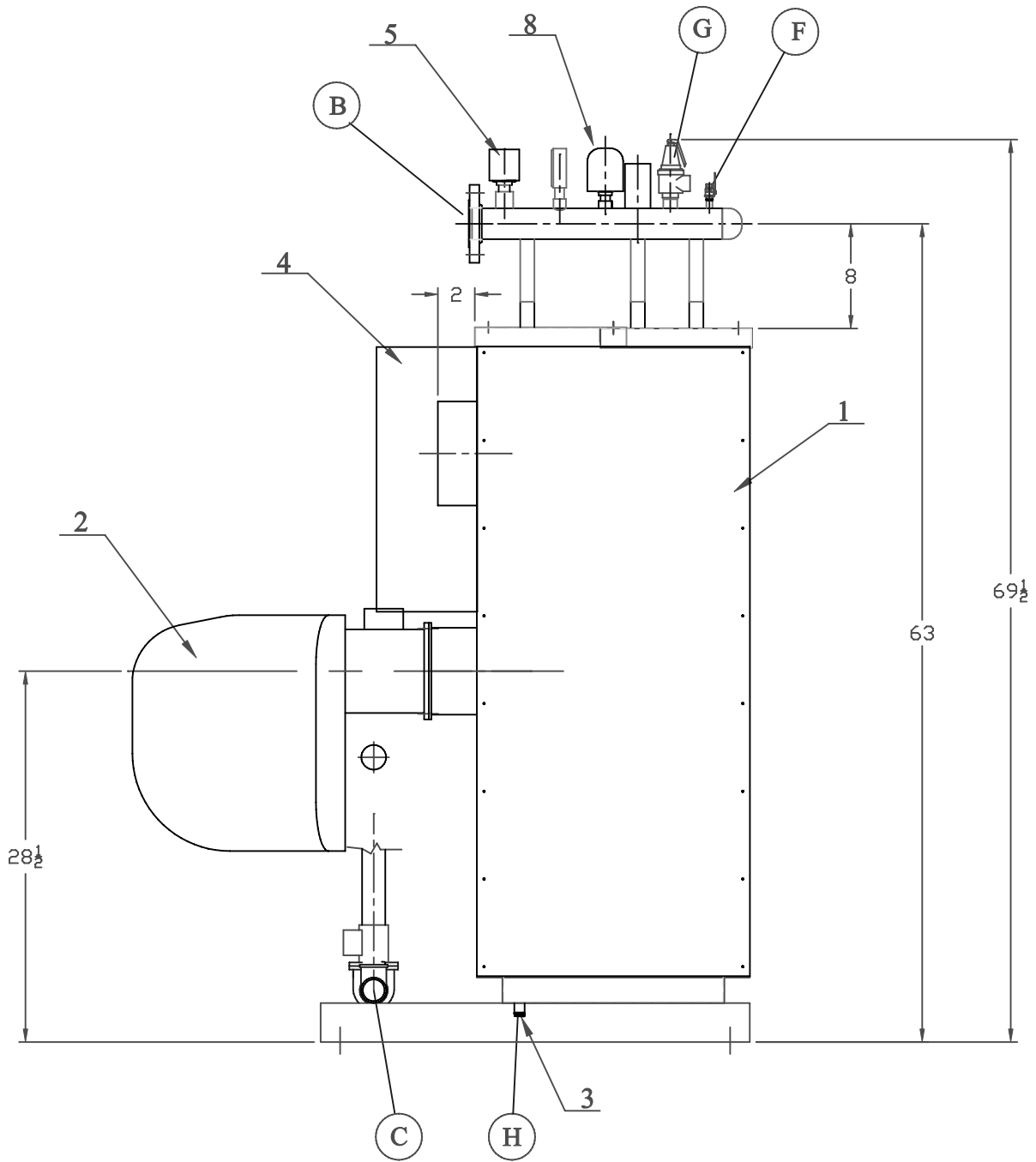


SCALE: NTS
DATE: JUN 04, 08
DRAWN: H0
CHK: H0
APPROVED: BS

GASMASTER INDUSTRIES INC.
BLDG 8, 15050 54A AVENUE, SURREY, B.C . CANADA

Boiler Assembly (Left view)

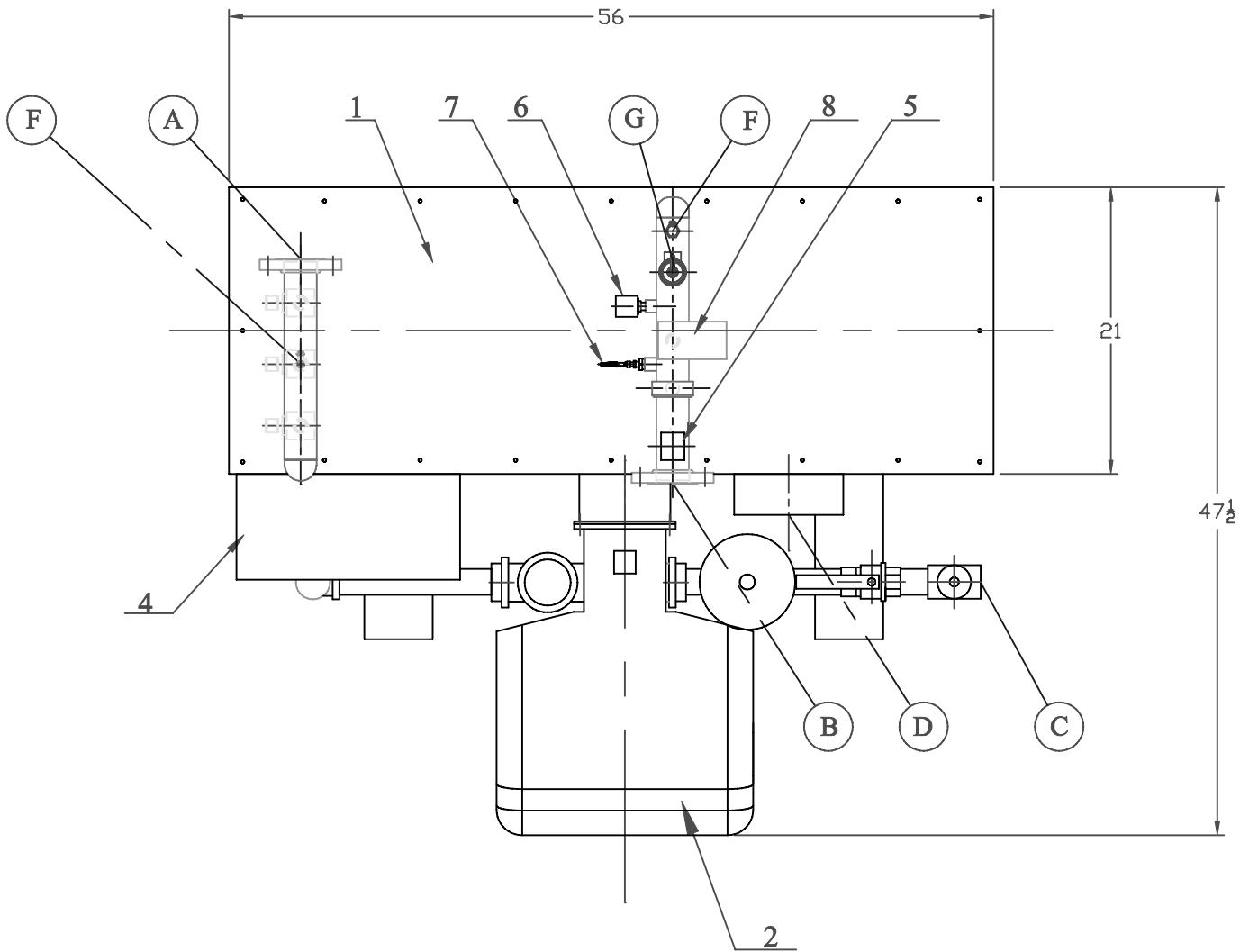
GMI 1M Boiler



SCALE: NTS
DATE: JUN 04, 08
DRAWN: Ho
CHK: Ho
APPROVED: BS

GASMASTER INDUSTRIES INC. BLDG 8, 15050 54A AVENUE, SURREY, B.C . CANADA	
Boiler Assembly (Right view)	
SHEET: 4/5	DIM. : Inch

GMI 1M Boiler



SCALE: NTS
DATE: JUN 04, 08
DRAWN: Ho
CHK: Ho
APPROVED: BS

GASMASTER INDUSTRIES INC. BLDG 8, 15050 54A AVENUE, SURREY, B.C . CANADA	
Boiler Assembly (Top view)	
SHEET: 5/5	DIM. : Inch