

GMI 1M-L Boiler

2007 ASME BOILER & PRESSURE VESSEL CODE
SECTION IV

HTP	MAWP	TEMP
240 PSI	160 PSI	210° F

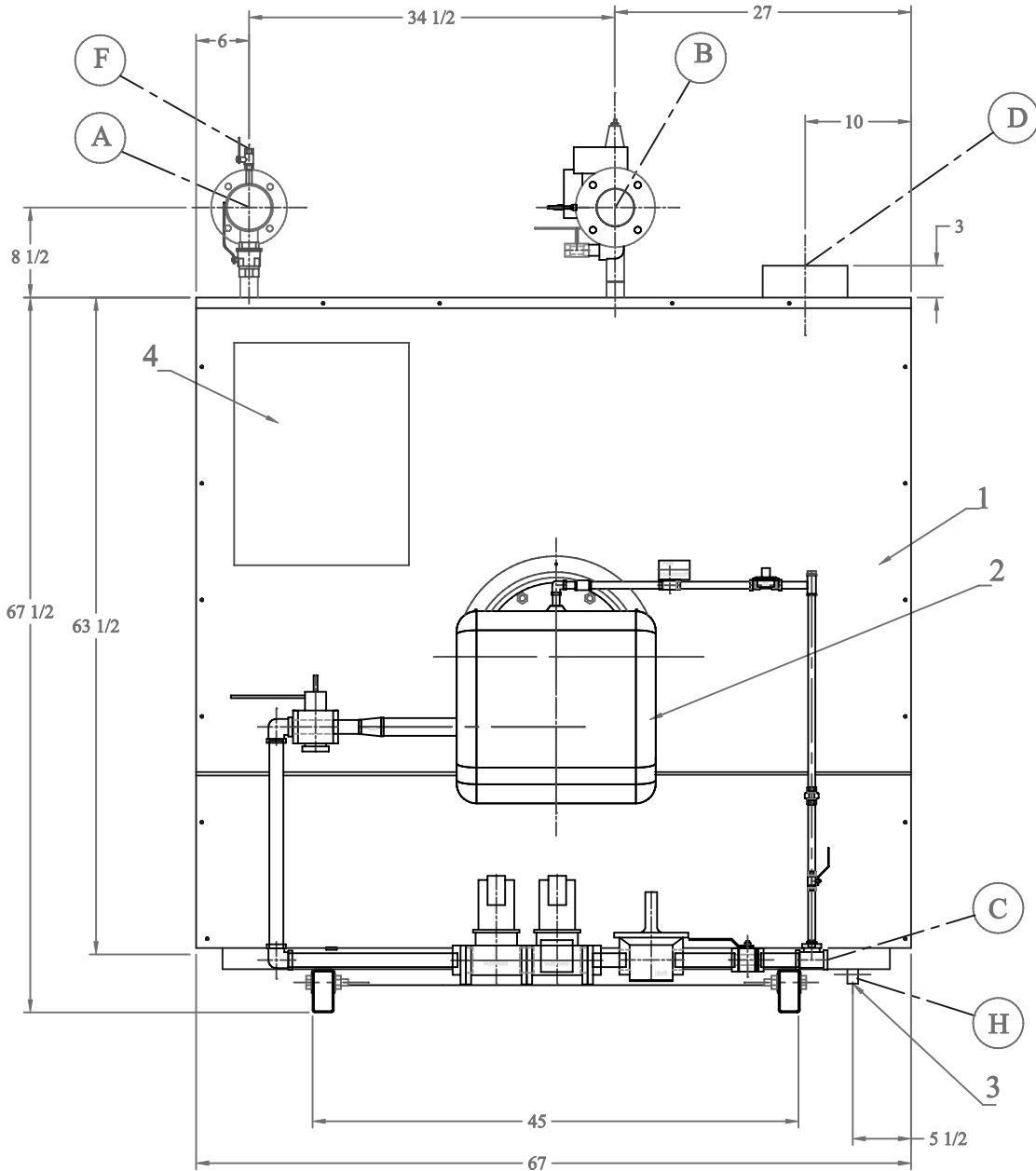
Name	Connection	Size	Type	Qty.
A	Water Inlet , S.S	3"	FLG.	1
B	Water Outlet , S.S	3"	FLG.	1
C	Gas Inlet (28"-140" wc)	1"	NPTF	1
D	Exhaust Connection	ø8"		1
E	Purging Valve , S.S.	1-1/4"		3
F	Air Connection Valve, Brass	3/8"	NPTF	2
G	Pressure Relief Valve, Brass	1"	NPTF	1
H	Condensate connection	3/4"	NPT	1

<i>Item</i>	<i>Qty</i>	<i>Description</i>	<i>Initial</i>
1	1	Boiler Housing Assembly	_____
2	1	Burner Assembly	_____
3	1	Condensate Drain	_____
4	1	Control Panel Assembly	_____
5	1	Low Water Cut off	_____
6	1	Temperature High Limit	_____
7	1	Temperature Sensor	_____
8	1	Flow Switch	_____

APPROXIMATE WEIGHT (EMPTY)	1550 LB
WATER CAPACITY	30.5 US GAL

SCALE: NTS	GASMASTER INDUSTRIES INC. BLDG 8, 15050 54A AVENUE, SURREY, B.C . CANADA
DATE: JUN 04, 08	
DRAWN: HO	Boiler Assembly - Specification
CHK: HO	
APPROVED: BS	
	SHEET: 1/5
	DIM. : Inch

GMI 1M-L Boiler

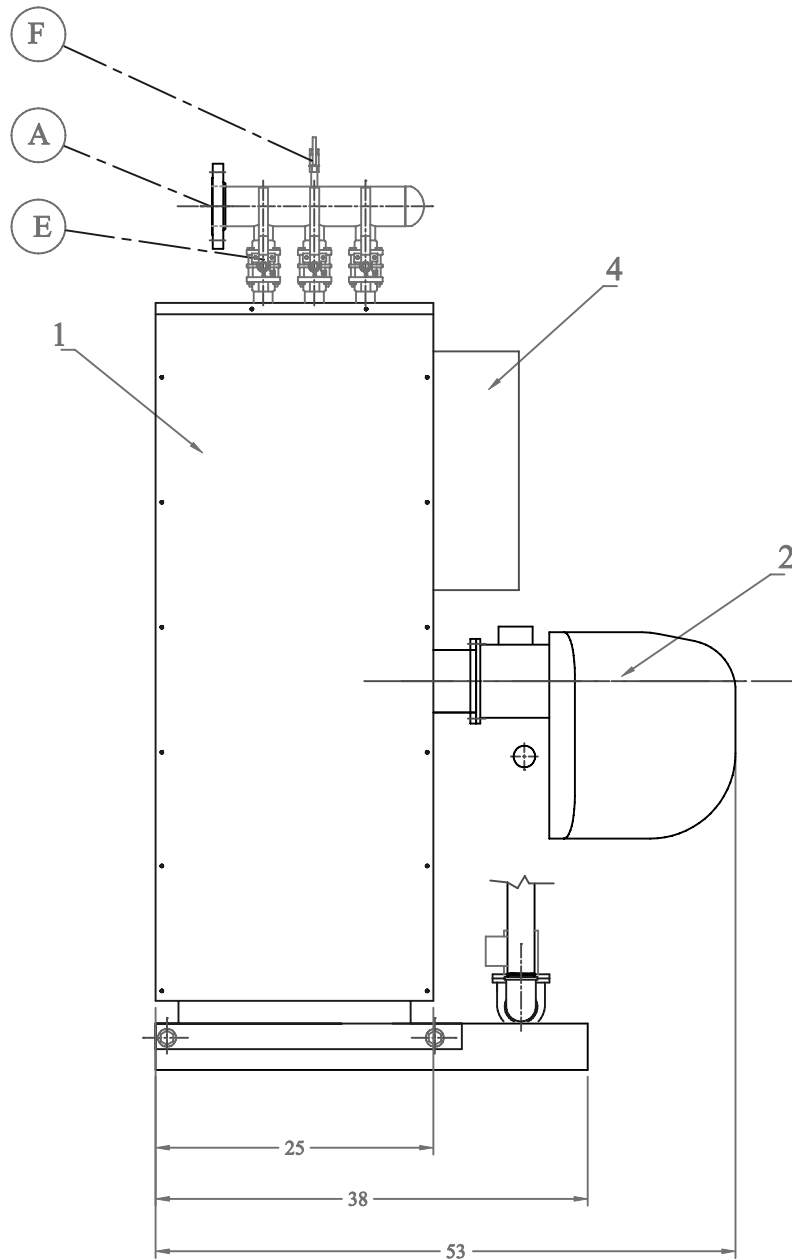


All dimensions are $\pm 1/4"$

SCALE: NTS
DATE: JUN 04, 08
DRAWN: HO
CHK: HO
APPROVED: BS

GASMASTER INDUSTRIES INC. BLDG 8, 15050 54A AVENUE, SURREY, B.C . CANADA	
Boiler Assembly - Front view	
SHEET: 2/5	DIM. : Inch

GMI 1M-L Boiler

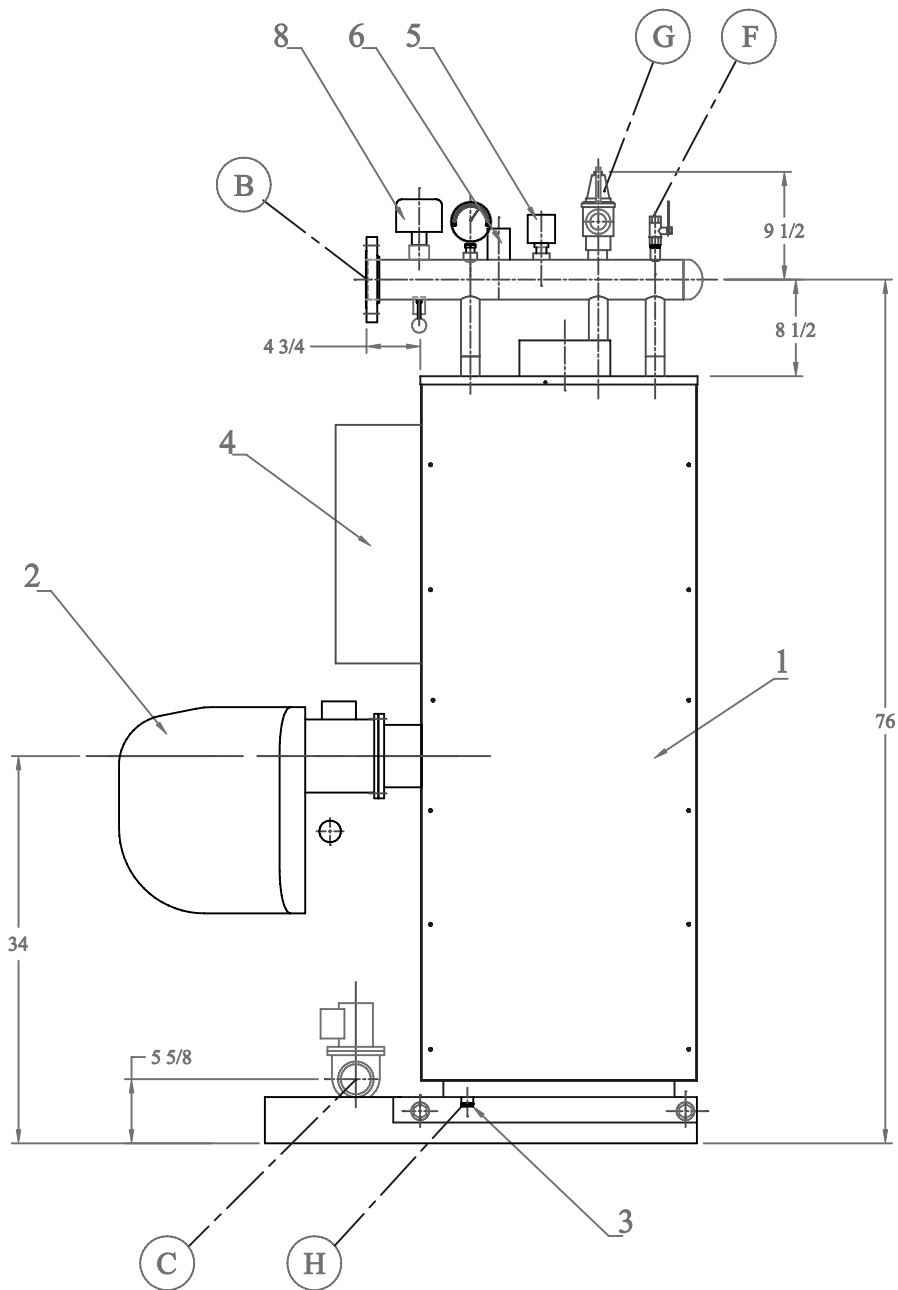


All dimensions are $\pm 1/4"$

SCALE: NTS
DATE: JUN 04, 08
DRAWN: HO
CHK: HO
APPROVED: BS

GASMASTER INDUSTRIES INC. BLDG 8, 15050 54A AVENUE, SURREY, B.C . CANADA	
Boiler Assembly - Right view	
SHEET: 3/5	DIM. : Inch

GMI 1M-L Boiler

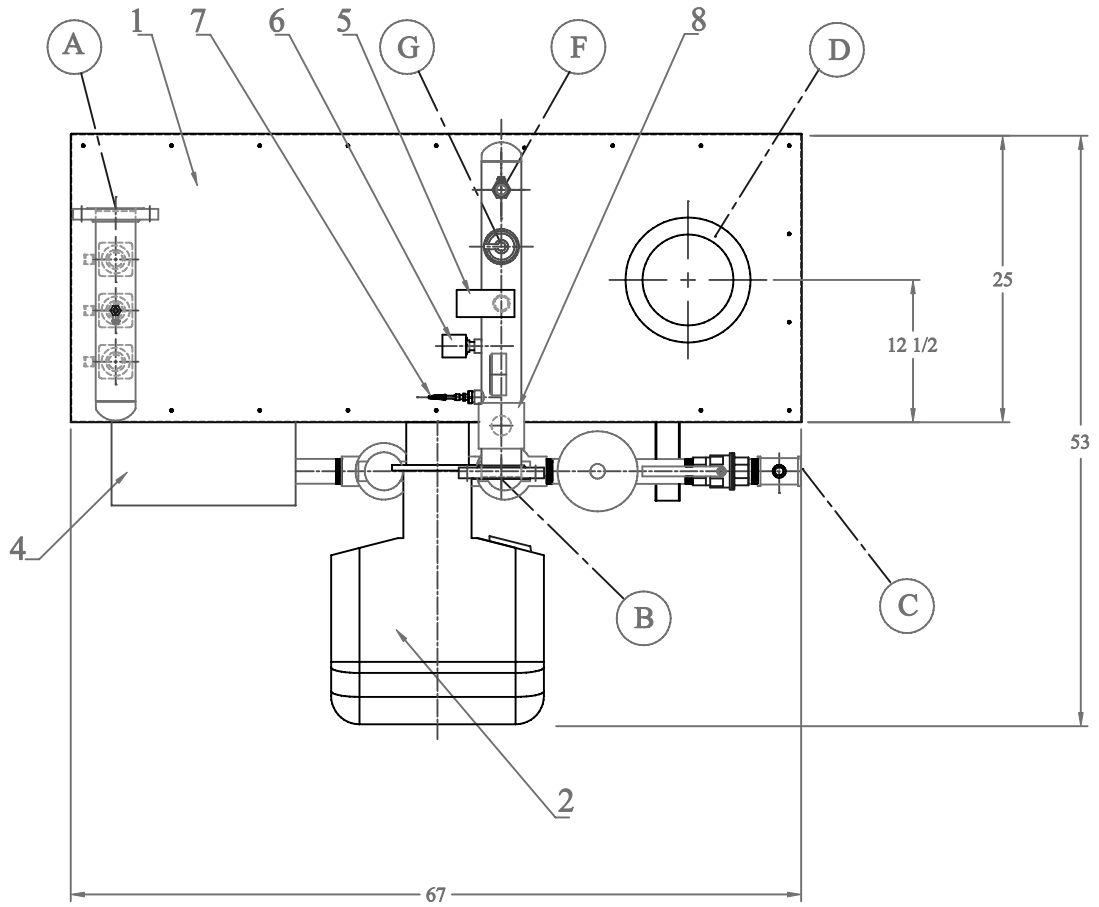


All dimensions are $\pm 1/4"$

SCALE: NTS
DATE: JUN 04, 08
DRAWN: HO
CHK: HO
APPROVED: BS

GASMASTER INDUSTRIES INC. BLDG 8, 15050 54A AVENUE, SURREY, B.C . CANADA	
Boiler Assembly - Left view	
SHEET: 4/5	DIM. : Inch

GMI 1M-L Boiler



All dimensions are $\pm 1/4"$

SCALE: NTS	GASMASTER INDUSTRIES INC.		
DATE: JUN 04, 08	BLDG 8, 15050 54A AVENUE, SURREY, B.C . CANADA		
DRAWN: HO	Boiler Assembly - Top view		
CHK: HO			
APPROVED: BS	SHEET: 5/5	DIM. : Inch	